

Downlight Protection

By

youngen



2 Hour Fire Rated Downlight Covers
For Domestic and Commercial Use



With the new AS/NZS Lighting Regulations this is a positively NO

Don't get burnt by unsafe
INSTALLATION of INSULATION

Youngen Downlight Covers are Tested and Approved in Australia By C.S.I.R.O to
AS1530 Part 4

Youngen 2 Hour Fire Rated Downlight Covers

The Youngen 2 Hour Fire Rated Cover has been developed to provide up to a 2 hour Fire Protection for penetrations in ceilings created by the installation of various sized Downlights. In the event of a fire, the cover expands internally to fill all of the available space including the holes located around the side of the cover with a fire resistant highly insulating char. The fire is unable to escape the cover, preventing the fire from spreading into the ceiling space.

KEY FEATURES

Maintains the fire protection performance of the ceiling

Provides Thermal Insulation

Simple fixing method-can be fitted in seconds

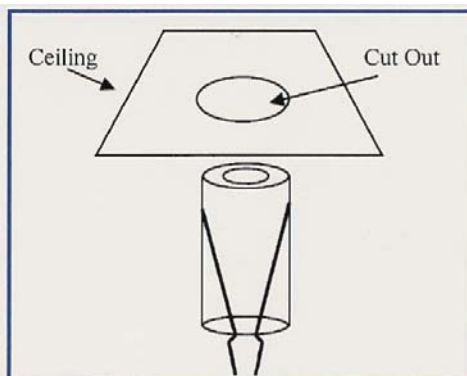
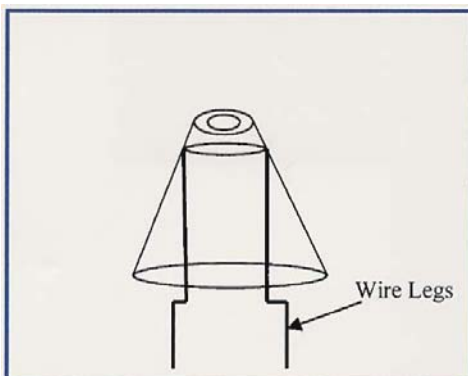
Fitting Instructions

Step One

Grasp the legs firmly and roll cover into a tight cylinder. Ensure wiring

Step Two

Keeping a tight grip on the legs, feed the cover up through the penetration until it is sitting flush above the ceiling



No screws, drilling or supports

Cover is ventilated to reduce heat build up

Cover can be fitted from above or below the ceiling

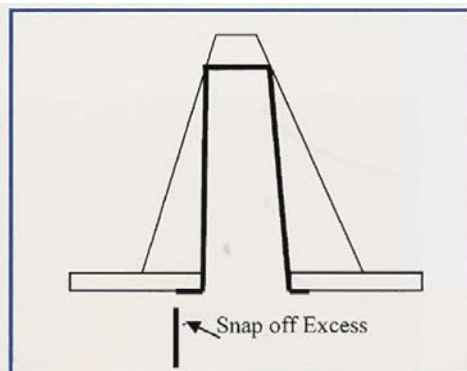
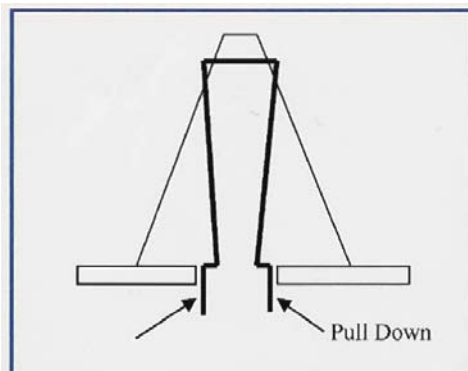
Step Three

After cone has sprung back to its original shape, pull down on the wire legs until the right angle bend hooks underneath the plasterboard

Step Four

When the wires are in position, snap off the remaining length of wire at the right angle (A). Downlighter can now be re-fitted as normal with their transformer Outside the cover

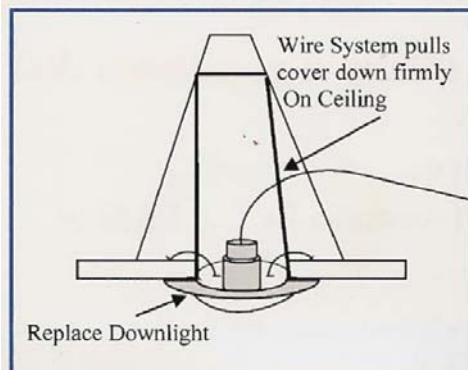
Various sizes to fit a range of mains and low voltage Downlights



Prevents Combustible materials and debris from coming into contact with fitting

Restores and maintains integrity of 30, 60, 90, and 120 minute Fire Rated Ceilings

Suitable for Suspended, concrete and plasterboard ceilings



FITTINGS

O/Dia	Ht.	Cut out size
150 x 150		50-75mm
200 x 200		75- 100mm
250 x 250		100-140mm

