

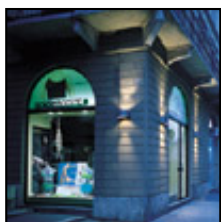
You search: [APPLICATIONS](#) > [WALL & CEILING](#) > [CLASS](#)

CLASS

⊕ Classe I



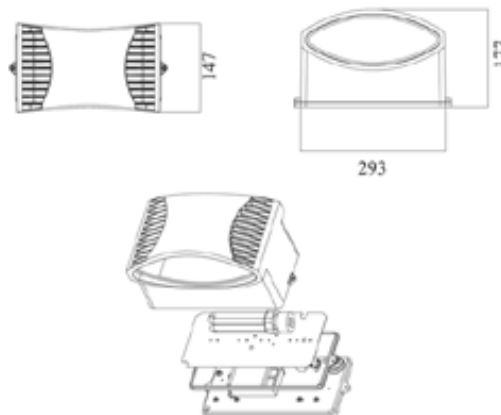
PRINT



Direct and indirect wall fixture for halogen lamp, compact fluorescent, metal halide, sodium high pressure and vapour mercury lamps. Suitable to illuminate, in total lack of dazzling, building front, arcades and expositive places.

- Die-cast aluminium body.
- Prismatic tempered glass diffuser (4mm), transparent for the model Class Deco 50.
- Bright aluminium diffusion reflector.
- Closing screws in stainless steel. Painted with polyester powders coated for an hight corrosion.
- Resistance and also undergoes a phosphochromatizing pre-treatment.
- Rubber gasket.
- Cable blocker of nickel plated of brass (PG13,5) predisposed for cable entry with \varnothing da 8÷12 mm.

CLASS IP 65				
	E27	1x150W	CLASS	
	R7s	1x200W	CLASS AL	
	G24d-3	1x26W	CLASS 1D26	
	G24d-3	2x26W	CLASS 2D26	
	2G10	1x36W	CLASS 1F36	
	Gx24q-5	1x57W	CLASS 1T57	
	Rx7s	1x72W	CLASS HCI-TS70	
	Rx7s	1x70W	CLASS NAV-TS70	
	E27	1x80W	CLASS HG80	
	GU5,3	2x50W	CLASS DECO50	
STANDARD COLOURS <input type="checkbox"/> <input checked="" type="checkbox"/> <input type="checkbox"/>				



* [click lamps for item's details](#)

[PREVIOUS PAGE](#)



PRINT

[SEARCH AGAIN](#)

FRANCESCONI & C.
ILLUMINAZIONE



hosted & powered by [iww s.r.l.](#) © 2005 all right reserved