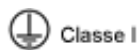


You search: APPLICATIONS > WALL & CEILING > CLASS-M

# CLASS-M



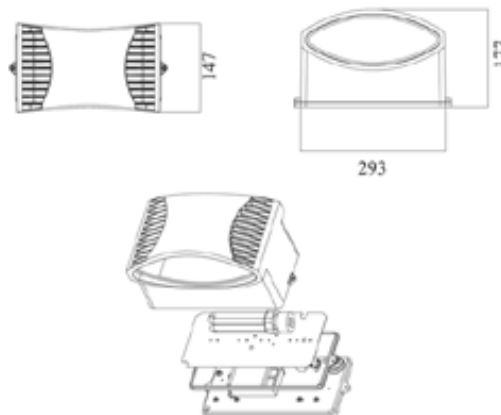
PRINT



Single emission wall fixture for halogen lamp, compact fluorescent, metal halide, sodium high pressure and vapour mercury lamps. Suitable to illuminate, in total lack of dazzling, building front, entrance, shop-window and pedestrian alley.

- Die-cast aluminium body.
- Prismatic tempered glass diffuser (4mm), transparent for the model CLASS/M Deco50.
- Bright aluminium diffusion reflector.
- Stainless steel mirror reflector for the model CLASS/F.
- Closing screws in stainless steel.
- Painted with polyester powders coated for an high corrosion resistance and also undergoes a photo-chromatic pre-treatment.
- Rubber gasket.
- Cable blocker of nickel plated of brass (PG13,5) predisposed for cable entry with  $\varnothing$  da 8÷12 mm.

CLASS-M IP 65					
	E27	1x150W	CLASS-M		
	R7s	1x200W	CLASS-M AL		
	G24d-3	1x26W	CLASS-M 1D26		
	2G10	1x36W	CLASS-M 1F36		
	Gx24q-5	1x57W	CLASS-M 1T57		
	Rx7s	1x72W	CLASS-M HCI-TS70		
	Rx7s	1x70W	CLASS-M NAV-TS70		
	E27	1x80W	CLASS-M HG80		
	GU5,3	1x50W	CLASS-M DECO50		
STANDARD COLOURS					



\* click lamps for item's details

PREVIOUS PAGE



PRINT

SEARCH AGAIN

**FRANCESCONI & C.**  
ILLUMINAZIONE



hosted & powered by [iww s.r.l.](#) © 2005 all right reserved