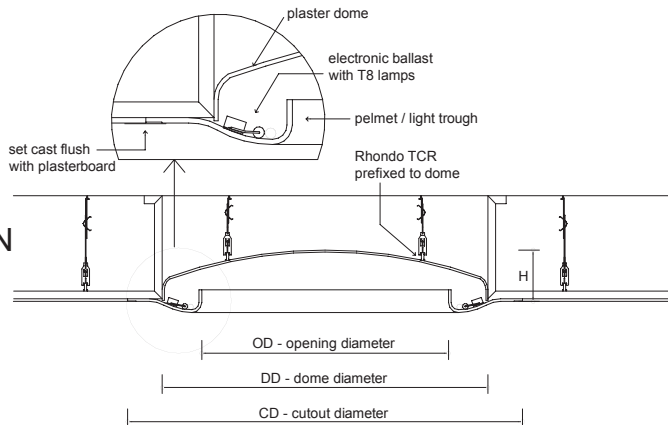


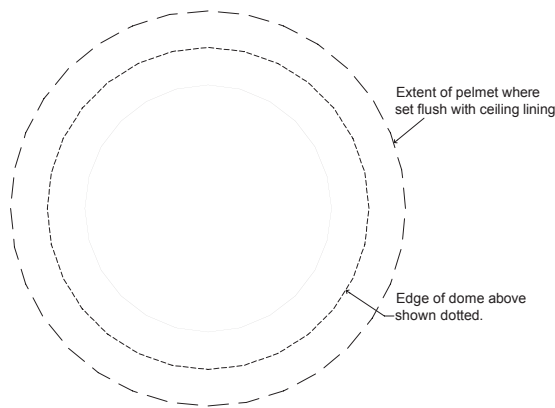


**DETAIL**



**SECTION**

**REFLECTED CEILING PLAN**



**PAINTING GUIDE**

The appearance of any Morph Light is dependant upon the quality of the paint finish as light emitted from the fitting accentuates even the slightest brush strokes and imperfections.

Prepare the plaster surface with a plaster sealer diluted with 20% mineral turpentine.

Allow to dry for min 16 hours.

Apply " Three in One" water based paint. Allow to dry.

Continue with normal painting.

	OD	CD	DD	H	Plaster Components
<b>800</b>	800	1420	1170	210	1 x dome, 1 x pelmet
<b>1200</b>	1200	1820	1560	248	1 x dome, 2 x 1/2 pelmets
<b>2000</b>	2000	2900	2430	400	2 x 1/2 dome, 4 x 1/4 pelmets

**PLEASE NOTE:** Scale of trough varies for each opening size.

'The HALO' is a shallow dome with continuous uplighting to its entire circumference. It consists of two pre-cast plaster components : a dome and a pelmet. The pelmet houses the lighting system.

**ELECTRICAL**

<b>800</b>	3 x electronic ballasts, 5 x 18W T8 lamps
<b>1200</b>	4 x electronic ballasts, 8 x 18W T8 lamps
<b>2000</b>	6 x electronic ballasts, 12 x 18W T8 lamps

**FIXING GUIDE**

Cut a circular opening in the plasterboard ceiling as per appropriate pelmet diameter. Provide framing at 450mm centres for support of light pelmet.

Suspend the dome from TCR rail provided.

Adjust height and provide six vertical framing members evenly spaced to the perimeter of the dome. Screw fix the dome to vertical framing members.

Allow for furring channels to support the plaster opening surround at minimum 450mm centres. Provide a minimum of 6 suspension points for the furring channels supporting the dome surround at a maximum 100mm from the perimeter of the dome.

Screw fix the pelmet components at the recessed edge into the furring channels and position concentrically to the dome. If the pelmet is in several parts as for HALO 1200 and 2000, butt-joint these using cornice cement, filled and sanded to create a perfectly seamless appearance.

Allow for electrical wiring.

Fix 10mm plasterboard ceiling lining, (pack moulding out 3mm for 13mm plasterboard) butt-joint the edge of pelmet surround, tape and set junction in strict accordance with plasterboard manufacturer's printed instructions.