

Star



Ceiling Star

Ceiling light fitting for 55W compact fluorescent lamps. Different louvres and diffusers to satisfy any requirement.

Materials

Body in white zinc coated steel with polycarbonate angular trimmings same colour of the body.

Louvre in matt anodized aluminium or reflector in high gloss anodized aluminium.

Level opal or prism diffuser.

Fluorescent lamps are not included.

Wiring

Electronic wiring double switch with two electronic ballasts 220/240 50/60Hz, electrical components with ENEC approval for compact fluorescent lamps 55W with 2G11 socket.

Rigid cable H05V2-U section 0,75 mm² (CEI 20-20).

Socket terminal 3P+T (section max 2,5mm²).

In accordance with standard IEC 598, CEI EN 60598-1 (CEI 34-21).

Emergency wiring in accordance with standard CEI EN 60598-2-22 (CEI 34-22).



Star



Code	Lamps Watt	
EL6174MT	3x55	matt low luminance louvre



Code	Lamps Watt	
EL6174OP	3x55	level diffuser
EL6174PR	3x55	

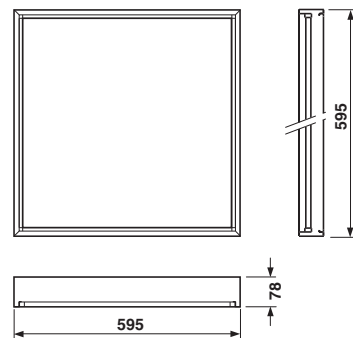


Ceiling fixture for 3 compact fluorescent lamps direct light.

Louvre in matt aluminium 99,9% anodized (MT) luminance < 500 cd/m² for angle > 65° or level opal diffusers (OP) or prism diffuser (PR). Automatic fixing with security clamps for an easy maintenance.

Wiring on request

- EL___/E one lamp emergency continuous light with electronic ballast
- ED___ 220-240V 50-60Hz electronic dimmable ballast (see price list page 4)
- ED___/E one lamp emergency continuous light with dimmable ballast (see price list page 4)



Star



Code	Lamps Watt		high gloss reflector
EL6175LU20	4x55	IP20	
EL6175LU40	4x55	IP40	



Code	Lamps Watt		opal level diffuser
EL6175OP	4x55	IP40	



Code	L mm		suspension
A9000	1200		
A9000/M3	3000		

Suspension.
2 steel cables.



Code	L mm	Cable alimantation	suspension
A9001	1200	3x1,5	
A9001 2A	1200	4x1,5	
A9001/M3	3000	3x1,5	
A9001/M3 2A	3000	4x1,5	

Cable suspension.
2 steel cables; 1 white supply cable.



pag. 355

Ceiling fixture for 4 compact fluorescent lamps direct light.

Reflector in high gloss anodized aluminium 99,9% (LU). IP20 without screen or IP40 with level transparent diffuser. Also available with level opal diffuser (OP). Automatic fixing of diffuser with security clamps for an easy maintenance.

Wiring on request

- EL___/E one lamp emergency continuous light with electronic ballast (only for IP20)
- ED___ 220-240V 50-60Hz electronic dimmable ballast (see price list page 4)
- ED___/E one lamp emergency continuous light with dimmable ballast (only for IP20) (see price list page 4)

