

CITYLIGHTS 70 LED

- HIGH PERFORMANCE LED SPOTLIGHT WITH $R_a : 97$
- FOR APPLICATIONS WITH IMPROVED COLOUR RENDERING
- INCREASE OF EFFICIENCY UP TO 125% COMPARED WITH LOW VOLTAGE HALOGEN
- FOR ARTWORK LIGHTING WITHOUT EXPOSURE OF UV AND IR RADIATION
- CONSTANT COLOUR TECHNOLOGY, LIFE > 50.000h
- WITH ELECTRONIC ADAPTOR FOR 3 CIRCUIT TRACK
- DESIGNED ALUMINIUM DIE-CAST HOUSING WITH THERMOMANAGEMENT
- SILVER, WHITE OR BLACK FINISH

CITYLIGHTS 70 LED PENDANT



CITYLIGHTS 70 LED RECESSED



CITYLIGHTS 70 LED PENDANT

SYSTEM POWER	ADAPTOR	SILVER	WHITE	BLACK	α	LIGHT COLOUR*	Φ TOTAL	W	DATA
26W	3~	SX 70-232-3	SX 70-232-1	SX 70-232-2	40°	3000K	640lm	0.8kg	5330



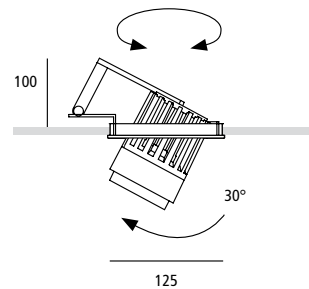
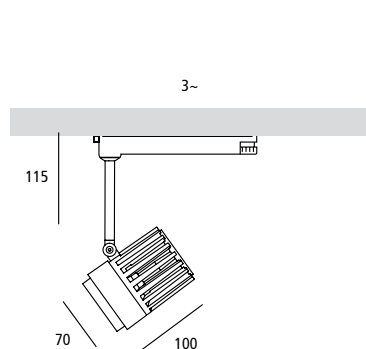
CITYLIGHTS 70 LED RECESSED

SYSTEM POWER	SILVER	WHITE	BLACK	α	C	LIGHT-COLOUR*	Φ TOTAL	W	DATA
26W	SX 70-233-3	SX 70-233-1	SX 70-233-2	40°	115	3000K	640lm	0.9kg	5330



CITYLIGHTS 70 ACCESSORIES

SX 98-166-0	10° SPOT LENS
SX 98-167-0	HONEYCOMB LOUVRE
SX 98-168-0	SCULPTURE LENS



* Other light colours on request
 α : Beam angle · C: Ceiling cut · Φ total: System flux · W: Weight

Please find further track spotlights in our INTERIOR catalogue starting on page 169 or under: www.selux.de



CITYLIGHTS 70 LED

HIGH
LIGHTS
2010

