

Wall fittings and free-standing luminaires

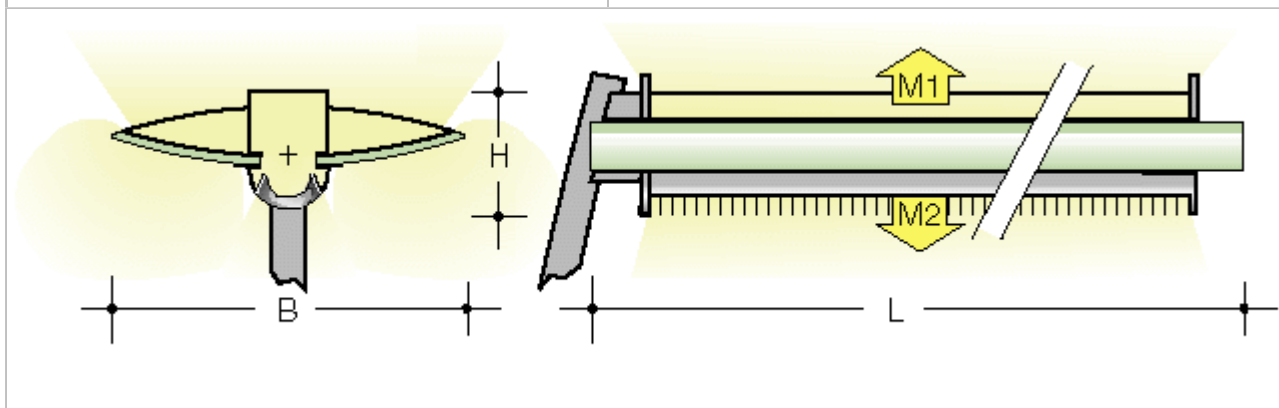
AUREA SX 763 003 355



Free-standing luminaire with EB for compact fluorescent lamps 3x TC-L/55 W

Direct / indirect lighting,
with PARAVEX® louvre, highly specular,
Body of extruded aluminium,
Self-luminous aura-effect curved wing elements made of acrylic glass on both sides, Surface finish satinised, scratch-resistant and soil-proof,
Three-level switching,
3-pole terminal block up to 2.5mm²,
Colour: Silver RAL 9006
B: 332mm, H: 110mm, L: 700mm
total height T: 1960mm
Weight: 25 kg

Manufacturer: SELUX
Typ: SX 763 003 355



Length L: 700mm
Width B: 332mm
Height H: 110mm

Photometric data: [see second page](#)

Lamp	Photometric data	Position
2 x TC-L/55W (4800 lm)	4445-55	M1
1 x TC-L/55W (4800 lm)	4444-55	M2



se'lux INTERIOR

Wall fittings and free-standing luminaires

AUREA SX 763 003 355

Photometric data:

Total lamp equipment: 3 x TC-L/55 W (4800 lm)
 Electronic ballast
 suitable for office workplaces with DSE (screens according class I and II, ISO 9241-7); $L < 1000 \text{ cd/m}^2$ above 65° radially around
 Light distribution: 25% direct - 75% indirect
 Cut off angle: 30°
 shielding: quality grade 1(500lx)
 UGR: < 13 (Parallel)/ < 13 (Vertical)

Photometric data:

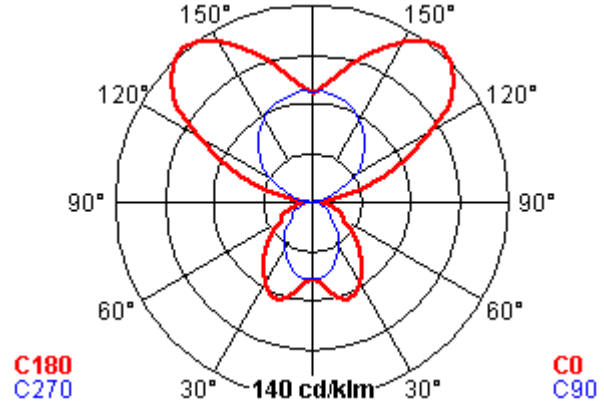
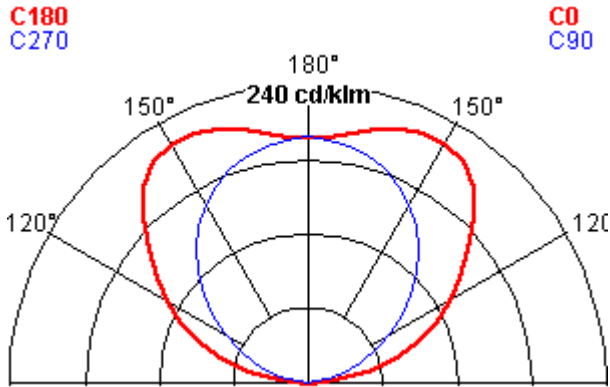
4445-55

Photometric data:

4444-55

Lamp: 2 x TC-L/55 W (4800 lm)
 I max(150°) 220 cd/1000lm

Lamp: 1 x TC-L/55 W (4800 lm)
 I max(140°) 140 cd/1000lm



more technical Data: [see first page](#)

 **IP20**

Subject to technical modification 08.2007 © SELUX