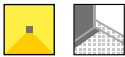


PURELIGHT 90 PENDANT LUMINAIRE

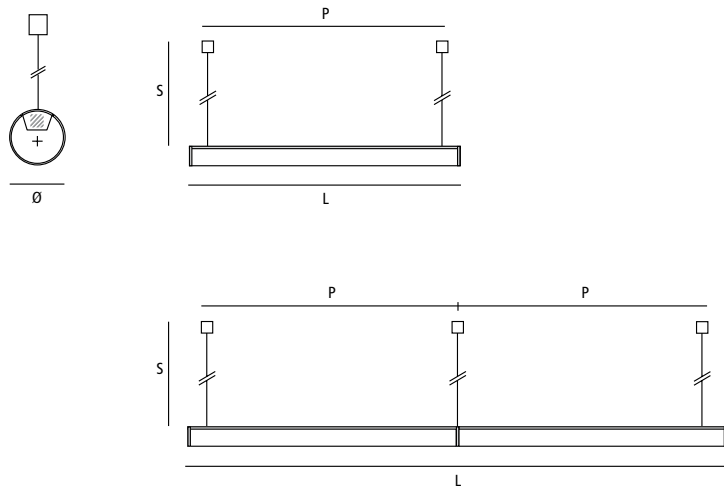
- PENDANT AS INDIVIDUAL OR DOUBLE LUMINAIRE
- CIRCULAR LIGHT DISTRIBUTION
- SATIN DIFFUSER
- TRANSPARENT SUPPLY CABLE, 5 x 0,75² AND INTEGRAL THROUGHWIRING
- WITH MULTIWATT BALLAST FOR HIGH-EFFICIENCY OR HIGH-OUTPUT FLUORESCENT LAMPS
- EXTRUDED ALUMINIUM BODY
- END CAPS OF DIE-CAST ALUMINIUM
- HIGH GLOSS POLISHED METAL SURFACES
- LAMP CHANGE WITHOUT TOOLS

PURELIGHT 90 PENDANT LUMINAIRE



PURELIGHT 90 PENDANT LUMINAIRE

		SILVER	L	Ø	P	W	DATA
1 x 28 / 54 W	single length	SX 92 114 173/..	1188	90	var.	2.4 kg	1080-28
1 x 35 / 49 W	single length	SX 92 114 174/..	1488	90	var.	2.4 kg	1080-35
2 x 1 x 28 / 54 W	double length	SX 92 124 173/..	2368	90	var.	2.4 kg	1080-28
2 x 1 x 35 / 49 W	double length	SX 92 124 174/..	2968	90	var.	2.4 kg	1080-35



DATA 1080
T16 / T5
LOR 90%
Φ _u 70%
UGR < 19 / 19



L: Length · Ø: Diameter · H: Height · P: Distance between suspensions · W: Weight · S: Suspension=700mm can be cut on site
 Dimming versions: .../00 = No dim · .../04 = 1-10V · .../05 = DSI · .../06 = DALI · .../07 = Touch dim · .../08 = CLT



PURELIGHT 90

HIGH
LIGHTS
2010

