


ASTRA

- PENDANT OR SURFACE MOUNTED LUMINAIRE
- DIRECT / INDIRECT
- SATIN FINISH PARABOLIC LOUVRE
- SATIN GLASS DIFFUSER
-  SUITABLE FOR VDU WORKSPACES (L<1000 CD/M² FOR GAMMA≥65° RADIALLY AROUND)
- GLOSS ANODISED ALUMINIUM FRAME
- SILVER FINISH

ASTRA see page 087

ASTRA PENDANT LUMINAIRE

ASTRA SURFACE MOUNTED LUMINAIRE



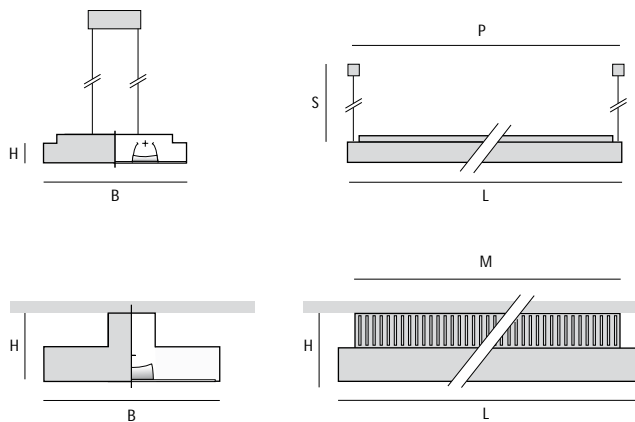
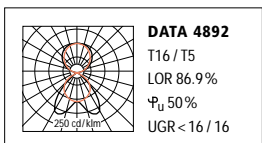
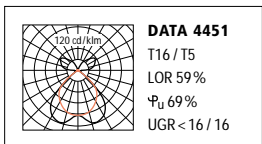
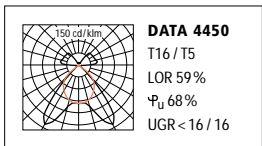
ASTRA PENDANT LUMINAIRE

	ANODISED	L	B	H	P	W	DATA
2 x 54W	SX 769 013 254	1233	260	35	1192	9.6kg	4892



ASTRA SURFACE MOUNTED LUMINAIRE

	ANODISED	L	B	H	M	W	DATA
1 x 54W	SX 765 013 154	1316	330	123	1000	11.0kg	4450
2 x 54W	SX 765 013 254	1316	330	123	1000	11.0kg	4451



L: Length · B: Width · H: Height · P: Distance between suspension points · M: Distance between fixation points · W: Weight · S: Suspension, 1500mm suspension can be cut on site
Dimmable versions: .../04 = 1-10V · .../05 = DSI · .../06 = DALI · .../08 = CLT - see page 230