


AUREA

- PENDANT AS INDIVIDUAL OR DOUBLE LUMINAIRE
- DIRECT / INDIRECT
- HIGH GLOSS PARAVEX LOUVRE
-  SUITABLE FOR VDU WORKSPACES ($L < 1000 \text{ CD/M}^2$ FOR $\text{GAMMA} \geq 65^\circ$ RADIALLY AROUND)
- EXTRUDED ALUMINIUM PROFILE
- END CAPS OF DIE-CAST ALUMINIUM
- CURVED WING ELEMENTS MADE OF SATIN ACRYLIC GLASS
- SILVER FINISH

AUREA PENDANT LUMINAIRE

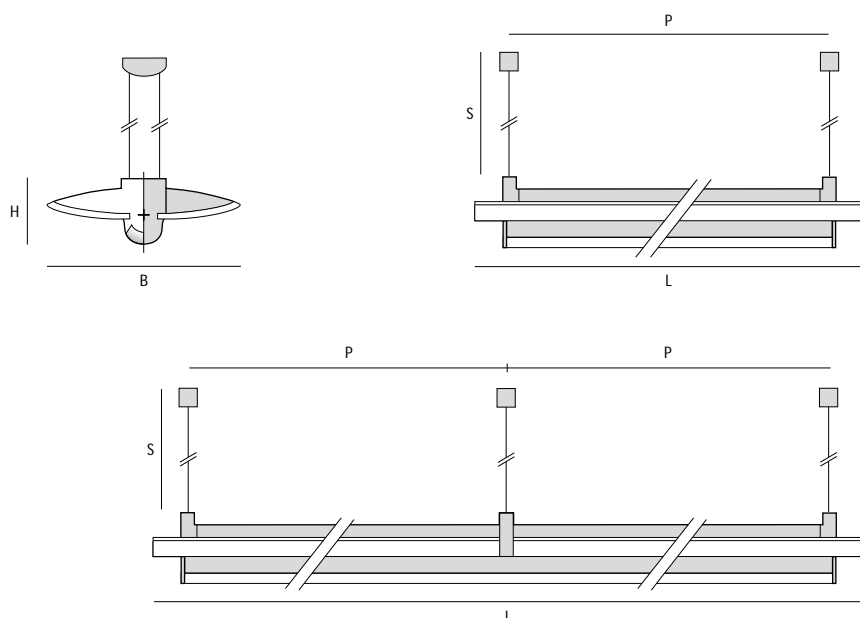


AUREA WALL see page 069



AUREA

		SILVER	L	B	H	P	W	DATA
2 x 39W	single length	SX 761 023 239	997	320	110	897	6.8kg	4441
2 x 54W	single length	SX 761 043 254	1297	320	110	1197	8.8kg	4441
2 x 2 x 39W	double length	SX 761 063 239	2010	320	110	954	13.7kg	4441
2 x 2 x 54W	double length	SX 761 083 254	2610	320	110	1254	17.8kg	4441



DATA 4441
T16 / T5
LOR 75%
Φ_u 27%
UGR < 16 / 16

L: Length · B: Width · H: Height · P: Distance between suspension points · W: Weight · S: Suspension, 1500mm suspension can be cut on site

Dimmable versions: .../04 = 1-10V · .../06 = DALI

