


M100 MICROPRISMS

- RECESSED LUMINAIRE
- **m**-SYSTEM: CUSTOMER SPECIFIES LENGTH OF MODULE
- MICROPRISMATIC MULTILAYER DIFFUSER - HIGHLY ADVANCED ANTI-GLARE CHARACTERISTICS (UGR<19)
-  SUITABLE FOR VDU WORKSPACES (L<1000 CD/M² FOR GAMMA≥65° RADIALLY AROUND)
- EXTRUDED ALUMINIUM PROFILE

M100 MICROPRISMS WITH TRIM

M100 MICROPRISMS TRIMLESS



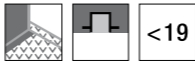
M100 MICROPRISMS WITH TRIM

	SILVER	L	B	H	C	W	DATA
1 x 35 / 28 / 21W	SX 71053-972-3	var.	122	104	L x 105	4.8kg/m	3034



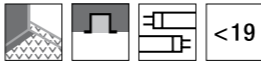
M100 MICROPRISMS TRIMLESS

	WHITE	L	B	H	C	W	DATA
1 x 35 / 28 / 21W	SX 72553-972-1	var.	155	100	L x 105	5.5kg/m	3034



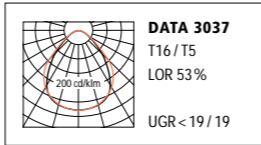
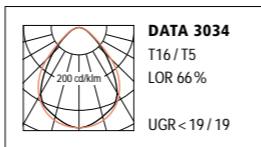
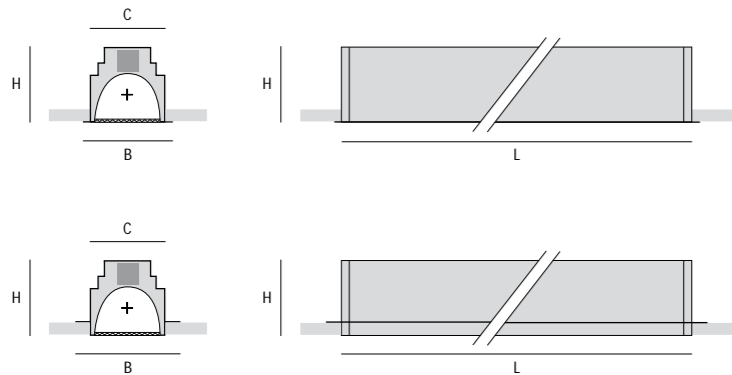
M100 MICROPRISMS WITH TRIM, STAGGERED LAMPS

	SILVER	L	B	H	C	W	DATA
1 x 35 / 28 / 21W	SX 72253-972-3	var.	122	104	L x 105	5.4kg/m	3037



M100 MICROPRISMS TRIMLESS, STAGGERED LAMPS

	WHITE	L	B	H	C	W	DATA
1 x 35 / 28 / 21W	SX 72653-972-1	var.	155	100	L x 105	5.8kg/m	3037



M100 ACCESSORIES FOR -SYSTEM

END FLANGE



SILVER **B**
SX 98-103-3 10mm

END PLATE



WHITE **ST**
SX 98-104-1 2mm

RECESSED DOWNLIGHT INFILL



SILVER **WHITE**
SX 99-714-3 SX 99-714-1 QPAR 16 lamp for mains voltage

PROFILE SNAP HANGER



SX 99-259-0 set of 6

ROTATING CROSS BAR



SX 99-939-0 set of 2

