

# M100 OPAL

- RECESSED LUMINAIRE
- **m**-SYSTEM: CUSTOMER SPECIFIES LENGTH OF MODULE
- OPAL PC DIFFUSER WITH STAGGERED LAMP POSITION FOR CONTINUOUS RUNS WITH EXCELLENT UNIFORMITY
- EXTRUDED ALUMINIUM PROFILE

## M100 OPAL WITH TRIM



## M100 OPAL TRIMLESS



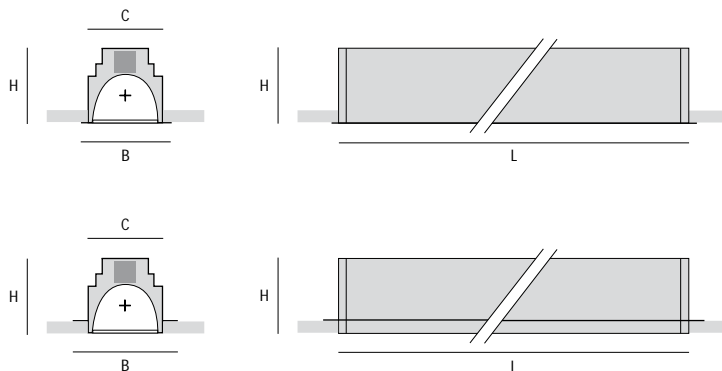
### M100 OPAL WITH TRIM

		SILVER	L	B	H	C	W	DATA
1 x 35 / 28 / 21W	<b>m</b> -System	<b>SX 72253-976-3</b>	var.	122	104	L x 105	4.9 kg/m	3033



### M100 OPAL TRIMLESS

		WHITE	L	B	H	C	W	DATA
1 x 35 / 28 / 21W	<b>m</b> -System	<b>SX 72653-976-1</b>	var.	155	100	L x 105	5.4 kg/m	3033



**DATA 3033**  
 T16 / T5  
 LOR 54 %  
 UGR < 22 / 22



L: Length · B: Width · H: Height · C: Ceiling cut-out · W: Weight

Dimmable versions: .../04 = 1-10V · .../05 = DSI · .../06 = DALI · For **m**-system end plates and suspensions have to be ordered separately – see page 110

**M100 ACCESSORIES FOR -SYSTEM**

**END FLANGE**



**SILVER**    **B**  
**SX 98-103-3**    10mm

**END PLATE**



**WHITE**    **ST**  
**SX 98-104-1**    2mm

**RECESSED DOWNLIGHT INFILL**



**SILVER**    **WHITE**  
**SX 99-714-3**    **SX 99-714-1**    QPAR 16 lamp for mains voltage

**PROFILE SNAP HANGER**



**SX 99-259-0**    set of 6

**ROTATING CROSS BAR**



**SX 99-939-0**    set of 2

