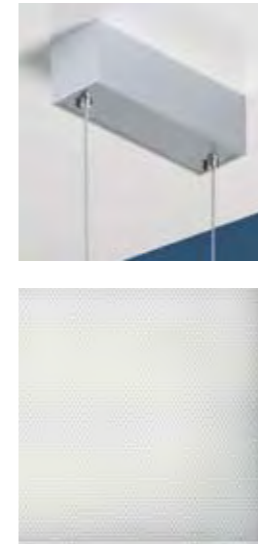




## M100x50 CASSETTE

- PENDANT LUMINAIRE
- DIRECT / INDIRECT
- MICROPRISMATIC MULTILAYER DIFFUSER – HIGHLY ADVANCED ANTI-GLARE CHARACTERISTICS (UGR<19)
- SATIN FINISH PARABOLIC LOUVRE – SUITABLE FOR VDU WORKSPACES (L<1000 CD/M<sup>2</sup> FOR GAMMA≥65°)
- DIMMABLE VERSIONS ON REQUEST
- SQUARE-EDGED EXTRUDED ALUMINIUM
- END CAPS OF DIE-CAST ALUMINIUM
- SILVER FINISH

### M100x50 MICROPRISMS DIRECT / INDIRECT



### M100x50 PARABOLIC DIRECT / INDIRECT



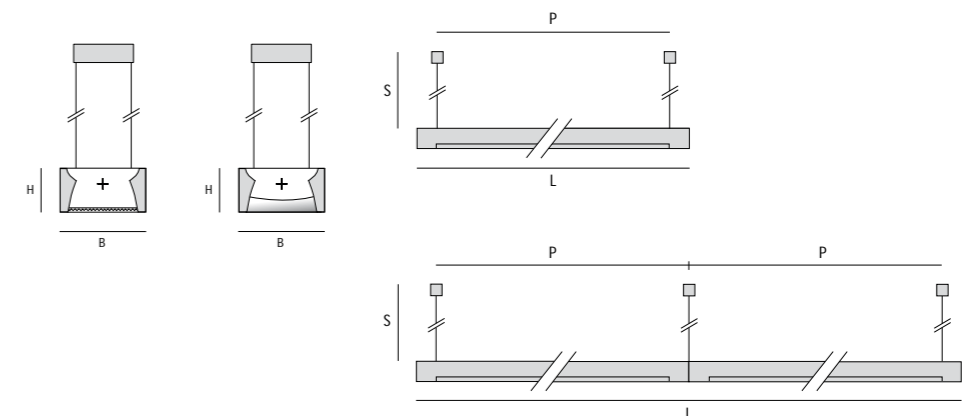
### M100x50 MICROPRISMS DIRECT / INDIRECT

		SILVER	L	B	H	P	W	DATA
2 x 54W	single length	<b>SX 757 013 254</b>	2016	100	50	1600	5.2kg	4475
2 x 2 x 54W	double length	<b>SX 757 023 254</b>	3196	100	50	1490	9.9kg	4475



### M100x50 PARABOLIC DIRECT / INDIRECT

		SILVER	L	B	H	P	W	DATA
2 x 54W	single length	<b>SX 789 013 254</b>	2016	100	50	1600	5.2kg	4471
2 x 2 x 54W	double length	<b>SX 789 023 254</b>	3196	100	50	1490	9.9kg	4471



DATA 4471
T16 / T5
LOR 85%
Φ <sub>u</sub> 41%
UGR < 16 / 16



L: Length · B: Width · H: Height · P: Distance between suspension points · W: Weight · S: Suspension, 1500mm suspension can be cut on site  
Additional photometrics on request