

M150 OPAL

- RECESSED LUMINAIRE
- **mj-SYSTEM**: CUSTOMER SPECIFIES LENGTH OF MODULE
- OPAL PC DIFFUSER WITH STAGGERED LAMP POSITION FOR CONTINUOUS RUNS WITH EXCELLENT UNIFORMITY
- EXTRUDED ALUMINIUM PROFILE

M150 OPAL WITH TRIM



M150 DEEP RECESSED OPAL TRIMLESS



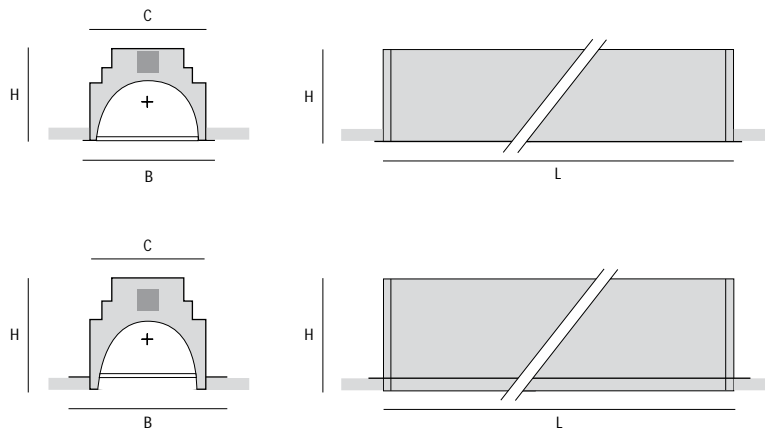
M150 OPAL WITH TRIM

		SILVER	L	B	H	C	W	DATA
1 x 35 / 28 / 21W	mj -System	SX 62453-976-3	var.	175	123	L x 155	7.1 kg/m	2304



M150 DEEP RECESSED OPAL TRIMLESS

		WHITE	L	B	H	C	W	DATA
1 x 35 / 28 / 21W	mj -System	SX 62553-976-1	var.	210	149	L x 155	7.7 kg/m	2334



L: Length · B: Width · H: Height · C: Ceiling cut-out · W: Weight

Dimmable versions: .../04 = 1-10V · .../05 = DSI · .../06 = DALI · Photometrics on request

For **mj**-system end plates and suspensions have to be ordered separately – see page120

M150 ACCESSORIES FOR -SYSTEM

END FLANGE



SILVER	B
SX 99-531-3	14mm

END PLATE



WHITE	SILVER	ST
SX 98-104-1	SX 99-840-3	2mm

PROFILE SNAP HANGER



SX 99-259-0	set of 6
-------------	----------

ROTATING CROSS BAR



SX 99-529-0	set of 2
-------------	----------

B: Width · ST: Thickness