




SILHOUETTE 220

- PENDANT OR SURFACE MOUNTED LUMINAIRE
- DIRECT / INDIRECT
- SATIN FINISH PARABOLIC LOUVRE
-  SUITABLE FOR VDU WORKSPACES (L<1000 CD/M² FOR GAMMA≥65° RADIALLY AROUND)
- SHARP-EDGED EXTRUDED ALUMINIUM
- END CAPS OF DIE-CAST ALUMINIUM
- SILVER FINISH

SILHOUETTE 220 PENDANT LUMINAIRE



SILHOUETTE 220 SURFACE MOUNTED LUMINAIRE



SILHOUETTE 220 PENDANT LUMINAIRE

	SILVER	L	B	H	P	W	DATA
2 x 28W	SX 149 013 228	1240	220	67	1200	4.8kg	4865
2 x 35W	SX 149 013 235	1540	220	67	1500	6.0kg	4865



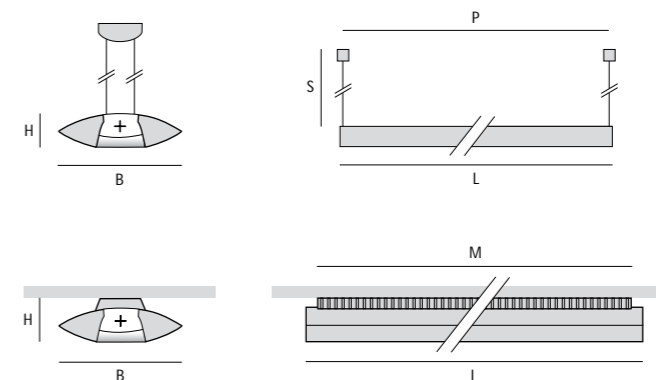
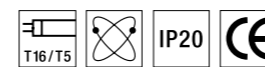
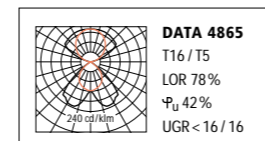
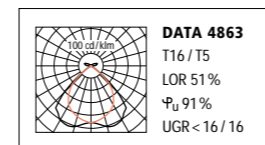
SILHOUETTE 220 SURFACE MOUNTED LUMINAIRE

	SILVER	L	B	H	M	W	DATA
2 x 28W	SX 144 013 228	1240	220	85	900	6.0kg	4863
2 x 35W	SX 144 013 235	1540	220	85	1200	7.5kg	4863

SILHOUETTE 220 ACCESSORIES

CLEAR TOP SHIELDING FOR PENDANT LUMINAIRES

SX 104-241	28W
SX 104-251	35W



L: Length · B: Width · H: Height · P: Distance between suspension points · M: Distance between fixation points · W: Weight
S: Suspension, 1500mm suspension can be cut on site · Dimmable versions: .../04 = 1-10V · .../05 = DSI · .../06 = DALI