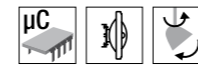




DIRECTOR®

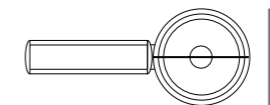
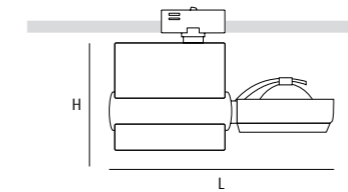
- VARIABLE LIGHT DISTRIBUTION BY USING REFLECTOR LAMP
- FOR EUTRAC 3 CIRCUIT TRACK WITH AND WITHOUT DATA BUS
- RANGE OF FUNCTIONS USING DALI VIA EUTRAC LIGHTCOMPOSER
- MOTOR ADJUSTABLE
- INTEGRAL CONTROLLER MANAGES RECALL OF FREQUENTLY USED PANS, TILTS AND DIM COMBINATIONS
- CAN BE CONTROLLED INDIVIDUALLY VIA HAND-HELD INFRARED REMOTE CONTROL
- MADE OF DIE-CAST ALUMINIUM
- SILVER, WHITE OR BLACK FINISH

DIRECTOR® HALOGEN



DIRECTOR®

			SILVER	WHITE	BLACK	Ø	L	H	W	DATA
1 x 100W	DALI	QR 111	SX 100-798-3	SX 100-798-1	SX 100-798-2	120	297	162	1.3kg	*
1 x 100W		QR 111	SX 100-799-3	SX 100-799-1	SX 100-799-2	120	297	162	1.3kg	*



Ø: Diameter · L: Length · H: Height · W: Weight · Spot for 1 circuit track with data bus available on request
 * Light distribution according to photometrics of selected reflector lamp · Licensed: RCL Ltd „Select and Direct“

DIRECTOR®

- NARROW OR WIDE BEAM
- FOR EUTRAC 3 CIRCUIT TRACK WITH OR WITHOUT DATA BUS
- RANGE OF FUNCTIONS USING DALI VIA EUTRAC LIGHTCOMPOSER
- MOTOR ADJUSTABLE
- INTEGRAL CONTROLLER MANAGES RECALL OF FREQUENTLY USED PANS, TILTS AND DIM COMBINATIONS
- CAN BE CONTROLLED INDIVIDUALLY VIA HAND-HELD INFRARED REMOTE CONTROL
- MADE OF DIE-CAST ALUMINIUM
- SILVER, WHITE OR BLACK FINISH

DIRECTOR® HIT-CE



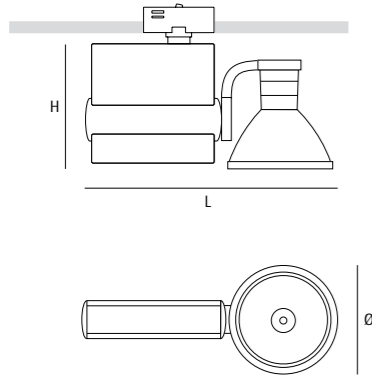
DIRECTOR® 12°

			SILVER	WHITE	BLACK	Ø	L	H	W	DATA
1 x 70W	DALI	HIT-CE	SX 100-783-3	SX 100-783-1	SX 100-783-2	133	325	168	1.6kg	*
1 x 150W	DALI	HIT-CE	SX 100-781-3	SX 100-781-1	SX 100-781-2	133	325	168	1.6kg	*
1 x 70W		HIT-CE	SX 100-789-3	SX 100-789-1	SX 100-789-2	133	325	168	1.6kg	*
1 x 150W		HIT-CE	SX 100-787-3	SX 100-787-1	SX 100-787-2	133	325	168	1.6kg	*



DIRECTOR® 38°

			SILVER	WHITE	BLACK	Ø	L	H	W	DATA
1 x 70W	DALI	HIT-CE	SX 100-782-3	SX 100-782-1	SX 100-782-2	133	325	168	1.6kg	*
1 x 150W	DALI	HIT-CE	SX 100-780-3	SX 100-780-1	SX 100-780-2	133	325	168	1.6kg	*
1 x 70W		HIT-CE	SX 100-788-3	SX 100-788-1	SX 100-788-2	133	325	168	1.6kg	*
1 x 150W		HIT-CE	SX 100-786-3	SX 100-786-1	SX 100-786-2	133	325	168	1.6kg	*



Ø: Diameter · L: Length · H: Height · W: Weight · Spot for 1 circuit track with data bus available on request

* Photometrics on request · Licensed: RCL Ltd „Select and Direct“



DIRECTOR® ACCESSORIES

HONEYCOMB LOUVRE



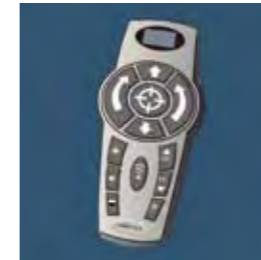
SX 100-087-2

DIFFUSER LENS



SX 100-088-0

REMOTE CONTROL



With modulated class II LASER.
One remote control required per application

SX 100-790-3 Programmable presets

COLOUR FILTER

SX 100-090-0 Red

SX 100-091-0 Blue