

i-trac SPOT FOR HALOGEN LAMPS

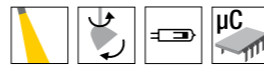
- NARROW OR MEDIUM WIDE BEAM
- FOR EUTRAC 3 CIRCUIT TRACK WITH DATA BUS OR EUTRAC MONOPOINT WITH DATA BUS
- DALI BALLAST, STANDARD BALLAST ON REQUEST
- MADE OF DIE-CAST ALUMINIUM
- CONCEALED ELECTRONIC TRACK ADAPTOR
- SPOT CAN BE ADJUSTED HORIZONTALLY AND VERTICALLY WHILE BODY REMAINS IN FIXED POSITION
- DALI VERSION WITH TWO-AXIS FIXING
- SILVER, WHITE OR BLACK FINISH

i-trac SPOT FOR QT 12 IntelligentTrackLighting™



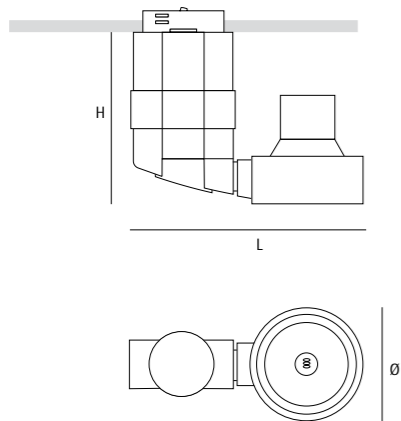
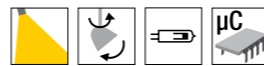
i-trac SPOT 9°

		SILVER	WHITE	BLACK	Ø	L	H	W	DATA
1 x 100W	QT12	SX 100-612-3/06	SX 100-612-1/06	SX 100-612-2/06	120	250	186	1.7kg	5312



i-trac SPOT 29°

		SILVER	WHITE	BLACK	Ø	L	H	W	DATA
1 x 100W	QT12	SX 100-613-3/06	SX 100-613-1/06	SX 100-613-2/06	120	250	186	1.7kg	5313



i-trac SPOT FOR HALOGEN LAMPS

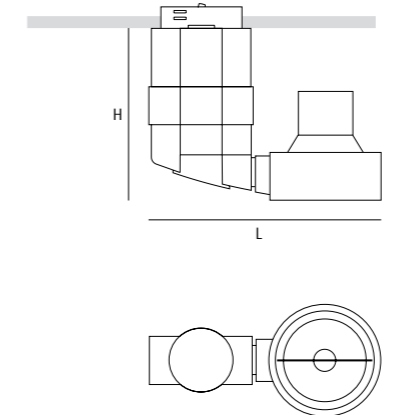
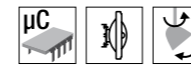
- VARIABLE LIGHT DISTRIBUTION BY USING REFLECTOR LAMP
- FOR EUTRAC 3 CIRCUIT TRACK WITH DATA BUS OR EUTRAC MONOPOINT WITH DATA BUS
- DALI BALLAST, STANDARD BALLAST ON REQUEST
- MADE OF DIE-CAST ALUMINIUM
- CONCEALED ELECTRONIC TRACK ADAPTOR
- SPOT CAN BE ADJUSTED HORIZONTALLY AND VERTICALLY WHILE BODY REMAINS IN FIXED POSITION
- DALI VERSION WITH TWO-AXIS FIXING
- SILVER, WHITE OR BLACK FINISH

i-trac SPOT FOR QR 111 IntelligentTrackLighting™



i-trac SPOT FOR QR 111

		SILVER	WHITE	BLACK	Ø	L	H	W	DATA
1 x 100W	QR 111	SX 100-614-3/06	SX 100-614-1/06	SX 100-614-2/06	120	250	186	1.7kg	*



Ø: Diameter · L: Length · H: Height · W: Weight · Spot for 1 circuit track with data bus available on request
* Light distribution according to photometrics of selected reflector lamp