

i-trac SPOT FOR METAL HALIDE LAMPS

- NARROW OR WIDE BEAM
- FOR EUTRAC 3 CIRCUIT TRACK WITH DATA BUS OR EUTRAC MONOPOINT WITH DATA BUS
- DALI BALLAST, STANDARD ELECTRONIC SUPPLY UNIT ON REQUEST
- MADE OF DIE-CAST ALUMINIUM
- CONCEALED ELECTRONIC TRACK ADAPTOR
- SPOT CAN BE ADJUSTED HORIZONTALLY AND VERTICALLY WHILE BODY REMAINS IN FIXED POSITION
- DALI VERSION WITH TWO-AXIS FIXING
- SILVER, WHITE OR BLACK FINISH

i-trac SPOT FOR HIT IntelligentTrackLighting™



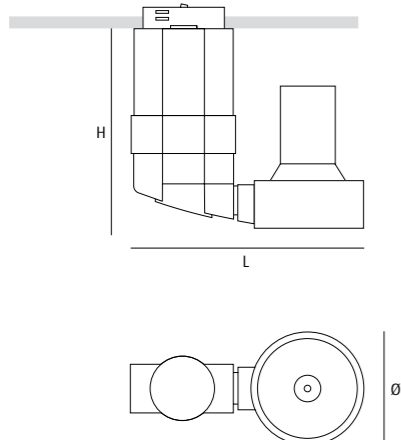
i-trac SPOT 12°

		SILVER	WHITE	BLACK	Ø	L	H	W	DATA
1 x 20W	HIT-CE	SX 100-600-3/06	SX 100-600-1/06	SX 100-600-2/06	120	250	223	1.9kg	5300
1 x 35W	HIT-CE	SX 100-603-3/06	SX 100-603-1/06	SX 100-603-2/06	120	250	223	1.9kg	5303
1 x 70W	HIT-CE	SX 100-606-3/06	SX 100-606-1/06	SX 100-606-2/06	120	250	223	1.9kg	5306



i-trac SPOT 39°

		SILVER	WHITE	BLACK	Ø	L	H	W	DATA
1 x 20W	HIT-CE	SX 100-602-3/06	SX 100-602-1/06	SX 100-602-2/06	120	250	223	1.9kg	5302
1 x 35W	HIT-CE	SX 100-605-3/06	SX 100-605-1/06	SX 100-605-2/06	120	250	223	1.9kg	5305
1 x 70W	HIT-CE	SX 100-608-3/06	SX 100-608-1/06	SX 100-608-2/06	120	250	223	1.9kg	5308



i-trac SPOT FOR METAL HALIDE LAMPS

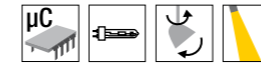
- NARROW OR WIDE BEAM
- FOR EUTRAC 3 CIRCUIT TRACK WITH DATA BUS OR EUTRAC MONOPOINT WITH DATA BUS
- DALI BALLAST, STANDARD BALLAST ON REQUEST
- MADE OF DIE-CAST ALUMINIUM
- CONCEALED ELECTRONIC TRACK ADAPTOR
- SPOT CAN BE ADJUSTED HORIZONTALLY AND VERTICALLY WHILE BODY REMAINS IN FIXED POSITION
- DALI VERSION WITH TWO-AXIS FIXING
- SILVER, WHITE OR BLACK FINISH

i-trac SPOT FOR HIT IntelligentTrackLighting™



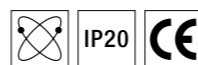
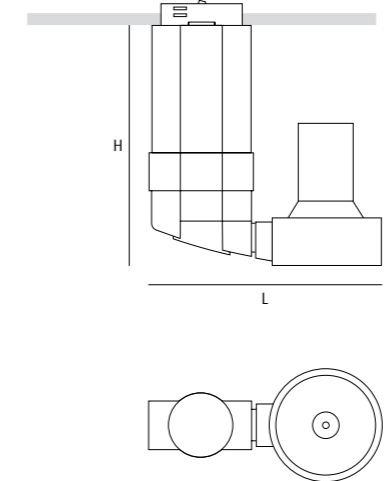
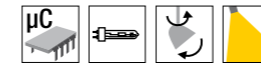
i-trac SPOT 12°

		SILVER	WHITE	BLACK	Ø	L	H	W	DATA
1 x 150W	HIT-CE	SX 100-609-3/06	SX 100-609-1/06	SX 100-609-2/06	120	250	261	2.3kg	5309



i-trac SPOT 39°

		SILVER	WHITE	BLACK	Ø	L	H	W	DATA
1 x 150W	HIT-CE	SX 100-611-3/06	SX 100-611-1/06	SX 100-611-2/06	120	250	261	2.3kg	5311



i-trac SPOT FOR METAL HALIDE LAMPS

- VARIABLE LIGHT DISTRIBUTION BY USING REFLECTOR LAMP
- FOR EUTRAC 3 CIRCUIT TRACK WITH DATA BUS OR EUTRAC MONOPOINT WITH DATA BUS
- DALI BALLAST, STANDARD BALLAST ON REQUEST
- MADE OF DIE-CAST ALUMINIUM
- CONCEALED ELECTRONIC TRACK ADAPTOR
- SPOT CAN BE ADJUSTED HORIZONTALLY AND VERTICALLY WHILE BODY REMAINS IN FIXED POSITION
- DALI VERSION WITH TWO-AXIS FIXING
- SILVER, WHITE OR BLACK FINISH

i-trac SPOT FOR HIR-CE IntelligentTrackLighting™



i-trac SPOT FOR HIR-CE

		SILVER	WHITE	BLACK	Ø	L	H	W	DATA
1 x 35W	HIR-CE 111	SX 100-615-3/06	SX 100-615-1/06	SX 100-615-2/06	120	250	223	1.9kg	*
1 x 70W	HIR-CE 111	SX 100-616-3/06	SX 100-616-1/06	SX 100-616-2/06	120	250	223	1.9kg	*

