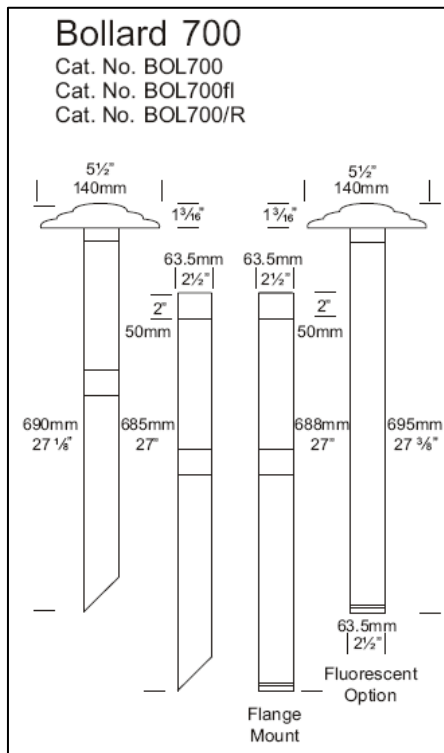
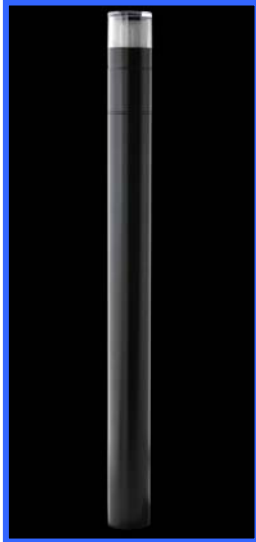


## LASER Exterior Bollard 700



The Bollard 700 is ideal for garden edges, driveways, walkways and carparks. The acrylic lens reflects light at two angles through an anti-glare mesh directly onto the ground and horizontally to illuminate the surrounding landscape.

The Retro™, which is a mains option, avoids the need to bury a transformer. The 110/240-12 volt electronic transformer is built into the pole and is a double insulated safety isolating transformer.

A 110/240 volt fluorescent option is available which offers excellent light output, low energy usage and very low heat generation, this changes the luminaire to an IP66 rating.

### Ordering Information

Luminaire Type	Material/Finish	Accessories
BOL700 - Bollard	BK - Black BZ - Bronze GN - Green STAR - Silver Star WH - White COP - Copper SS - 316 Stainless Steel	CJK150 - Cable Joint Kit HOOD140 - Anti Glare Hood LENSBOLF - Frosted Lens FL - Fluorescent Option FM - Flange Mount /R - Retro™ Transformer 240/12 volt For an alternative LED option start at page 10.4

Ordering Example: BOL700 BZ - Bollard 700 in Bronze  
 BOL700FL COP - Bollard 700 with Fluorescent Option in Copper  
 FM GN - Flange Mount in Green  
 (Accessories ordered separately)

### Luminaire Construction

CNC machined from one of the following metals:  
 High corrosion resistant 63.5mm (2 1/2") x 10mm (25/64") aluminium.  
 End cap - solid aluminium 63.5mm (2 1/2") rod, pole - 63.5mm (2 1/2") x 3.25mm (1/8") x 620mm (24 1/2") with chromate substrate and high UV resistant polyester powder coat

**Colours** Black, Bronze, Green, Silver Star, White.

**Copper** 63.5mm (2 1/2") x 10mm (13/32"). End cap - solid copper 63.5mm (2 1/2") rod, pole - 63.5mm (2 1/2") x 3.25mm (1/8") x 620mm (24 1/2").

**316 Stainless Steel** 63.5mm (2 1/2") x 9mm (11/32"). End cap - solid 316 stainless steel 63.5mm (2 1/2") rod pole - 63.5mm (2 1/2") x 3.25mm (1/8") x 620mm (24 1/2").

### Mounting

Set in concrete in the ground or specify with flange mount option, which bolts to concrete, tiling or wooden decks.

### Features

**Lens:**  
 UV stable acrylic with anti-glare mesh and dual angle reflector projects light horizontally and at 45° onto the ground.

**Gaskets:**  
 Silicone, iron impregnated 220°C (428°F).

**Lamp Holders:**  
 GU5.3 - 350°C (662°F) ceramic multi contact lamp holder with 250°C (480°F) teflon cables.

**Fluorescent:**  
 E27 PET 210°C (410°F) base mount. E26 only available in the USA.

**Accessories:**  
 Cable Joint Kit (Cat. CJK150).  
 Frosted Lens (Cat. LENSBOLF).  
 Anti-Glare Hood (Cat. HOOD140).  
 Flange Mount (Cat. FM).  
 Fluorescent Option (Cat. FL).  
 Retro™ Transformer 110/240-12 volt (Cat. /R) IP56.