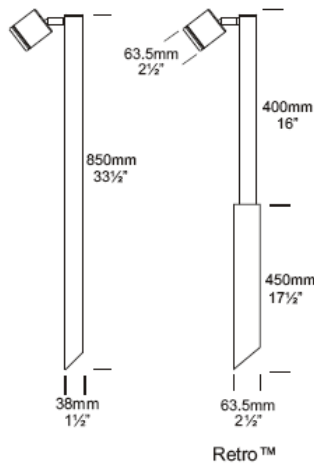


LASER Exterior Single Pole

The Single Pole Lite has an individual spotlight which can be aimed in any direction. The fixture is ideal for path lighting as well as tree lighting, or the head may be aimed downward to eliminate vertical light. The fitting has a fully adjustable arm allowing 360 degree rotation and 0 - 90 degree elevation.

The Retro™, which is a mains option, avoids the need to bury a transformer. The 110/240-12 volt electronic transformer is built into the pole and is a double insulated safety isolating transformer, this changes the luminaire to an IP56 rating.



Ordering Information

Luminaire Type	Material/Finish	Accessories
SPL - Single Pole Lite	BK - Black BZ - Bronze GN - Green STAR - Silver Star WH - White COP - Copper SS - 316 Stainless Steel	CJK150 - Cable Joint Kit LENSSTEPF - Frost Lens GG - Glare Guard HCL - Hex Cell Louvre Adaptor /R - Retro™ Transformer 110/240-12 volt For an alternative LED option start at page 10.4
Ordering Example: SPL SS - Single Pole Lite in 316 Stainless Steel SPL/R COP - Single Pole Lite Retro™ in Copper HCL - Hex Cell Louvre Adaptor (Accessories ordered separately)		

Luminaire Construction

CNC machined from one of the following metals:

High corrosion resistant 63.5mm (2 1/2") x 10mm (25/64") aluminium.
 End cap - solid aluminium 63.5mm (2 1/2") rod, with chromate substrate and high UV resistant polyester powder coat - Colours Black, Bronze, Green, Silver Star, White.

Copper 63.5mm (2 1/2") x 10mm (13/32"). End cap - solid copper 63.5mm (2 1/2") rod.

316 Stainless steel 9mm (11/32")
 End cap - solid 316 stainless steel 63.5mm (2 1/2") rod.

Poles: Aluminium, Copper, 316 Stainless steel 38mm (1 1/2") x 850mm (33 1/2") tube.

Retro™: Pole - 38mm (1 1/2") x 410mm (16") tube.

Transformer Pole 63.5mm (2 1/2") x 440mm (17 1/2").

Mounting

Pole 850mm (33 1/2") directly mounted into the earth. Retro™ - set in concrete.

Features

Lens:
 10mm (3/8") clear 'flush fit' shatter resistant glass. Life Time Warranty.

Gaskets:
 Silicone, iron impregnated 220°C (428°F).

Lamp Holder:
 GU 5.3 - 350°C (662°F) ceramic multi contact lamp holder with 250°C (480°F) teflon cables.

Accessories:

Cable Joint Kit (Cat. CJK150).
 Not approved for USA/Canada.
 Frosted Lens (Cat. LENSSTEPF).
 Glare Guard (Cat. GG).
 Hex Cell Louvre Adaptor (Cat. HCL).
 Retro™ transformer 110/240-12 volt IP56 (Cat. /R).

Swivel:

Aluminium and Copper luminaires 360° rotation and 0 - 90° elevation, solid brass with anti rust spring.

Stainless Steel luminaires 360° rotation and 0 - 90° elevation, full stainless steel construction.