

LASER Exterior Step Lite Solid Eyelid Square



Step Lite Solid Eyelid Square

Cat. No. SLssq
Cat. No. SLsflsq

The Square Solid Eyelid Step Lite has an 88mm x 88mm (3½" x 3½") flange. It has a smooth machine finish without mounting holes to disrupt the elegant line of the fitting and is designed to fit into a mounting canister. The eyelid masks two thirds of the lamp which eliminates all upward light.

A 110/240 volt fluorescent option is available which offers excellent light output, low energy usage and very low heat generation, this changes the luminaire to an IP66 rating.

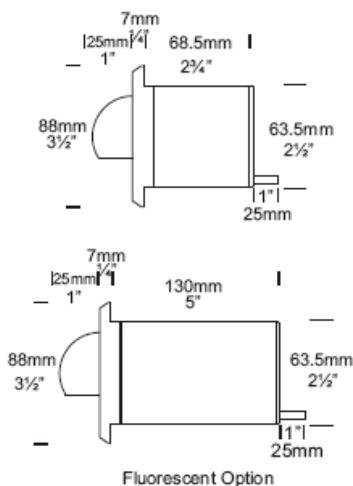
Ordering Information

Luminaire Type	Material/Finish	Accessories
SLssq - Step Lite Solid Eyelid Square	BK - Black BZ - Bronze GN - Green STAR - Silver Star WH - White COP - Copper SS - 316 Stainless Steel	CJK150 - Cable Joint Kit LENSSTEPF - Frosted Lens FL - Fluorescent Option HCL - Hex Cell Louvre Adaptor Canss - 316 Stainless Steel Canister Flucan - Fluorescent Canister Slcan - Step Lite Canister For an alternative LED option start at page 10.4

Ordering Example: SLssq COP - Step Lite Solid Eyelid Square in Copper

SLsflsq SS - Step Lite Solid Eyelid Square in 316 Stainless Steel with Fluorescent Option

HCL COP - Hex Cell Louvre Adaptor in Copper (Accessories ordered separately)



Luminaire Construction

CNC machined from one of the following metals:

High corrosion resistant 63.5mm (2½") x 10mm (25/64") aluminium.
End cap - solid aluminium 63.5mm (2½") rod, flange 90mm x 90mm (3½" x 3½") solid aluminium bar with chromate substrate and high UV resistant polyester powder coat

Colours Black, Bronze, Green, Silver Star, White.

Copper: 63.5mm (2½") x 10mm (13/32"). End cap - solid copper 63.5mm (2½") rod.
Flange 90mm x 90mm (3½" x 3½") solid copper bar.

316 Stainless steel: 9mm (11/32"). End cap - solid 316 stainless steel 63.5mm (2½") rod.
Flange 90mm x 90mm (3½" x 3½") solid 316 stainless steel bar.

Mounting

Designed to fit through a 66mm (2 5/8") hole and be fixed into position by two screws in the flange or a Step Lite canister (see accessories) can be used which maintains the aesthetic look of the flange by eliminating the two screw holes in the flange.

Features

Lens:
3mm (1/8") thick clear tempered shatter resistant glass.
Life Time Warranty.

Gaskets:
Silicone, iron impregnated 220°C (428°F).

Lamp Holders:
GU5.3 - 350°C (662°F) ceramic multi contact lamp holder with 250°C (480°F) teflon cables.

Fluorescent
E27 PET 210°C (410°F) base mount.
E26 available from the USA.

Accessories:

Cable Joint Kit (Cat. CJK150)
Not approved for USA/Canada.

Fluorescent Option 8watt 240 volt (Cat. FL) IP66.

Frosted Lens (Cat. LENSSTEPF).

Hex Cell Louvre Adaptor (Cat. HCL).

Step Canister (Cat. Slcan).

Fluorescent Canister, PVC (Cat. Flucan).

316 Stainless Canister for use in lime stone etc. (Cat. Canss).