

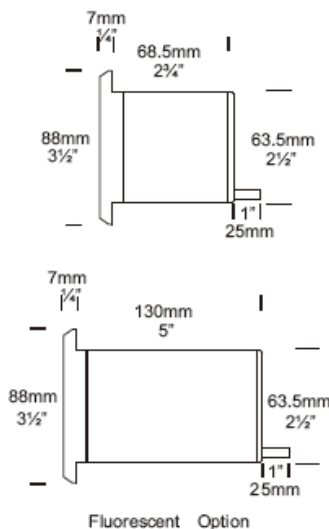
LASER Exterior Step Lite Square



Step Lite is designed with a 88mm x 88mm (3½" x 3½") flange for flush mounting into masonry, stone or wood. This luminaire is ideal for illumination of steps and ground level horizontal lighting, for example, across driveways or exterior paved areas. When a canister is used there are no mounting holes in the flange.

A 110/240 volt fluorescent option is available which offers excellent light output, low energy usage and very low heat generation, this changes the luminaire to an IP66 rating.

Ordering Information



Luminaire Type	Material/Finish	Accessories
SLsq - Step Lite Square	BK - Black BZ - Bronze GN - Green STAR - Silver Star WH - White CP - Copper SS - 316 Stainless	CJK150 - Cable Joint Kit LENSSTEPF - Frosted Lens FL - Fluorescent Option HCL - Hex Cell Louvre Adaptor Canss - 316 Stainless Steel Canister Flucan - Fluorescent Canister Scan - Step Lite Canister For an alternative LED option start at page 10.4

Ordering Example: SLsq BZ - Step Lite Square in bronze powder coat.

SLflsq SS - Step Lite Square with Fluorescent Option in 316 Stainless Steel

HCL BK - Hex Cell Louvre Adaptor in black
(Accessories ordered separately)

Luminaire Construction

CNC machined from one of the following metals:

High corrosion resistant 63.5mm (2½") x 10mm (25/64") aluminium.
End cap - solid aluminium 63.5mm (2½") rod, flange 90mm x 90mm (3½" x 3½") solid aluminium bar with chromate substrate and high UV resistant polyester powder coat

Colours Black, Bronze, Green, Silver Star, White.

Copper: 63.5mm (2½") x 10.5mm (13/32"). End cap - solid copper 63.5mm (2½") rod. Flange 90mm x 90mm (3½" x 3½") solid copper bar.

316 Stainless steel: 9mm (11/32"). End cap - solid 316 stainless steel 63.5mm (2½") bar. Flange 90mm x 90mm (3½" x 3½") solid 316 stainless steel bar.

Mounting

Designed to fit through a 66mm (2 5/8") hole and be fixed into position by two screws in the flange or a Step Lite canister (see accessories) can be used which maintains the aesthetic look of the flange by eliminating the two screw holes in the flange.

Features

Lens:
10mm (3/8") thick clear 'flush fit' tempered shatter resistant glass. Life Time Warranty.

Gaskets:
Silicone, iron impregnated 220°C (428°F).

Lamp Holders:
GU5.3 - 350°C (662°F) ceramic multi contact lamp holder with 250°C (480°F) teflon cables.

Fluorescent:
E27 PET 210°C (410°F) base mount. E26 available in the USA.

Accessories:

Cable Joint Kit (Cat. CJK150)
Not approved for USA/Canada.

Fluorescent Option 8watt 240 volt (Cat. FL) IP66.

Frosted Lens (Cat. LENSSTEPF).

Hex Cell Louvre Adaptor (Cat. HCL).

Step Canister (Cat. Scan).

Fluorescent Canister, PVC (Cat. Flucan).

316 Stainless Canister for use in lime stone etc. (Cat. Canss).