

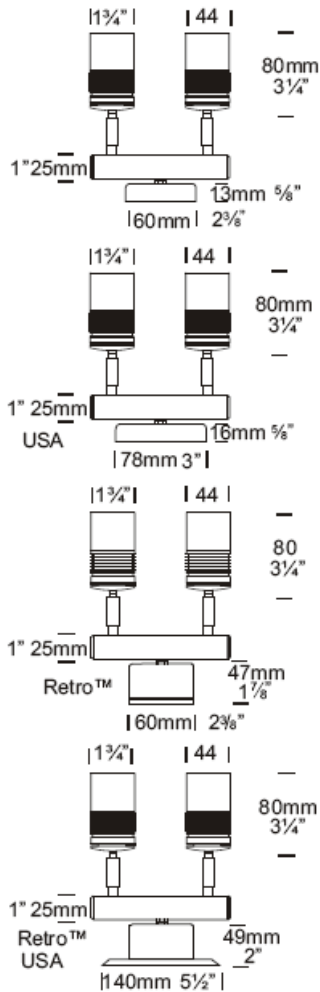
LASER Exterior Euro Twin Wall



Euro Twin Wall Spot

Cat. No. ETWS

Cat. No. ETWS/R



The Euro Twin Wall Spot is for situations where the luminaire needs to be discreet, the smaller sized MR11 lamp is utilised to achieve this. Each spotlight can be aimed in any direction. This luminaire has fully adjustable arms allowing 360 degree rotation and 0 - 90° elevation with a built in glare guard. The Euro Twin Wall Spot has been designed to be mounted on walls and provide directional light for pathways and structural elements of a building.

The Retro™ is a 110/240-12 ac mains option suited to an installation where mounting a transformer is a problem, e.g. a brick wall where there is only the cable protruding out of the wall and it is not an option to recess the transformer or when replacing an existing light fitting. The base size increases in size to accommodate the encapsulated IP66 dimmable transformer.

Ordering Information

Luminaire Type	Material	Accessories
ETWS - Euro Twin Wall Spot	Cop - Copper SS - 316 Stainless Steel	LENSEURF - Frost Lens CJK150 - Cable Joint Kit /R - Retro™ Transformer 110/240-12 volt WBAP - Wall Box Adaptor Plate (12 volt Luminaire) For an alternative LED option start at page 10.4

Ordering Example: ETWS SS - Euro Twin Wall Spot in 316 Stainless Steel
ETWS/R COP - Euro Twin Wall Spot Retro™ in Copper

CJK150 - Cable Joint Kit (Accessories ordered separately)

Luminaire Construction	Features
<p>CNC machined from one of the following metals:</p> <p>Body: Copper 45.4mm (1 1/4") rod.</p> <p>Base: Copper Hand spun 2mm (3/16")</p> <p>Body: 316 Stainless steel 45.4mm (1 1/4") rod.</p> <p>Base: Investment cast and CNC machined.</p>	<p>Lens: 7mm (1/4") clear flush fit shatter resistant glass with Hex Cell Louvre for glare control. Life Time Warranty.</p> <p>Gaskets: Silicone, iron impregnated 220°C (428°F).</p> <p>Lamp Holders: GU4 - 350°C (662°F) ceramic multi contact lamp holder with 180°C (356°F) silicone cables.</p> <p>Accessories: Cable Joint Kit (Cat. CJK150) Not approved for USA/Canada. Frost Lens (Cat. LENSEURF). Retro™ transformer 110/240-12 volt (Cat. /R). Wall Box Adaptor Plate (Cat. WBAP 12 volt luminaires USA/Canada).</p> <p>Swivel: Copper luminaires - 360° rotation and 0 - 90° elevation, solid brass with anti rust spring. Stainless Steel luminaires - 360° rotation and 0 - 90° elevation, full stainless steel construction.</p>
Mounting	
<p>12 volt: the luminaire is mounted to the wall using two 316 stainless screws through a shallow base 16mm (5/8") in depth. A Wall Box Adaptor Plate is available as an accessory to fit 3.0 and 4.0 junction boxes for USA/Canada.</p> <p>Retro™ luminaire (110/240-12 volt): a mounting plate is fixed to the wall using two screws and the luminaire is fitted to the mounting plate.</p>	