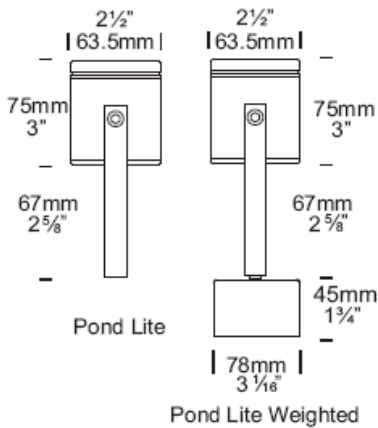


LASER Exterior Pond Lite



The Pond Lite is fully submersible and is adjustable on two planes. The luminaire is ideal for illuminating sculptures or other water features. A version with a weighted base is available, allowing the luminaire to be placed in the pond without drilling fixing holes to mount it. It is supplied with a 3 metre (9') submersible cable.

This luminaire is machined from a choice of 10mm thick aluminium with a UV stable powder coated finish, solid copper or 316 stainless steel with a clear, tempered, flush glass lens and high temperature silicon gaskets.



Ordering Information

Luminaire Type	Material/Finish	Accessories
POND - Pond Lite	BK - Black BZ - Bronze GN - Green STAR - Silver Star WH - White COP - Copper SS - 316 Stainless Steel	CJK150 - Cable Joint Kit LENSSTEPF - Frosted Lens GG - Glare Guard HCL - Hex Cell Louvre Adaptor W - Weighted Base For an alternative LED option start at page 10.4

Ordering Example: POND/W SS - Pond Lite Weighted Version in 316 Stainless Steel.
HCL SS - Hex Cell Louvre Adaptor in 316 Stainless Steel
(Accessories ordered separately)



Luminaire Construction

CNC machined from one of the following metals:

High corrosion resistant 63.5mm (2 1/2") x 10mm (25/64") aluminium. End cap - solid aluminium 63.5mm (2 1/2") rod, with chromate substrate and high UV resistant polyester powder coat

Colours Black, Bronze, Green, Silver Star, White.

USA/Canada Aluminium is not approved.

Copper 63.5mm (2 1/2") x 10.5mm (13/32"). End cap - solid copper 63.5mm (2 1/2") rod.

316 Stainless Steel 63.5mm (2 1/2") x 9mm (11/32"). End cap - solid 316 stainless steel 63.5mm (2 1/2") rod.

Mounting

Via a "U" bracket that is screwed to the mounting surface. If being used in a pond with a plastic liner then the weighted version should be used. No screws are required for fixing, therefore no leaks.

Note: Copper may not be suitable for use with fish. May be mounted to a depth of 2 metres.

Features

Lens:

10mm (3/8") thick clear 'flush fit' tempered shatter resistant glass. Life Time Warranty.

Gaskets:

Silicone, iron impregnated 220°C (428°F).

Lamp Holder:

GU5.3 - 350°C (662°F) ceramic multi contact lamp holder with 250°C (480°F) teflon cables.

Cable:

1.3mm (16AWG) 3 metre (9') submersible cable, longer cable available on Request.

Accessories:

Cable Joint Kit (Cat. CJK150)
Not approved for USA/Canada.
Frosted Lens (Cat. LENSSTEPF).
Glare Guard (Cat. GG).
Hex Cell Louvre Adaptor (Cat. HCL).
Weighted Base (Cat. W).