

LASER Exterior Euro Twin Bar Lite



The Euro Twin Bar Lite is an extra compact luminaire designed for situations where the fixture needs to be very obtrusive or concealed. This luminaire has two individual spotlights which can be aimed in two entirely different directions and are ideal for illuminating bushes, trees or any landscape features. Each lite has a fully adjustable arm allowing 360 degree rotation and 0 - 90 degree elevation adjustment. The heads are mounted on a 250mm (10") bar with twin ground spikes.

Ordering Information

Luminaire Type

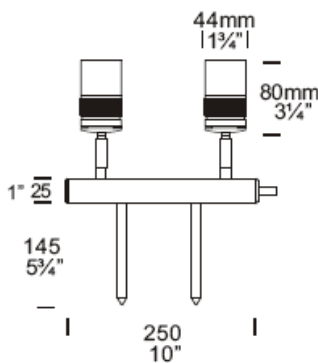
ETBL - Euro Twin Bar Lite

Material

COP - Copper
SS - 316 Stainless Steel

Accessories

CJK150 - Cable Joint Kit
LENSEURF - Frosted Lens /300 - 300mm (12") Spike
For an alternative LED option start at page 10.4



Ordering Example: ETBL COP - Euro Twin Bar Lite in Copper

ETBL/300 SS - Euro Twin Bar Lite in 316 Stainless Steel 300mm (12") Spike

(Accessories ordered separately)

Luminaire Construction

CNC machined from one of the following metals:

Copper:

Body 45.4mm (1 1/4") rod.

Bar:

25.4mm x 1.42mm (1" x 1/16") tube.

End Cap:

25.4mm x 10mm (1" x 3/8") brass rod.

Spike:

11mm x 150mm (3/8" x 6") copper.

316 Stainless Steel:

Body:

45.4mm (1 1/4") rod.

Bar:

25.4 x 1.42mm (1" x 1/16") tube.

End Cap:

25.4mm x 10mm (1" x 3/8") rod.

Spike:

11mm x 150mm (3/8" x 6") rod.

Mounting

Spike 150mm (6") 300mm (12") mounted directly into the ground.

Features

Lens:

7mm (1/4") clear flush fit shatter resistant glass with Hex Cell Louvre for glare control.

Life Time Warranty.

Gaskets:

Silicone, iron impregnated 220°C (428°F).

Lamp Holders:

GU4 - 350°C (662°F) ceramic multi contact lamp holder with 250°C (480°F) teflon cables.

Accessories:

Cable Joint Kit (Cat. CJK150).
Not approved for USA/Canada.
Frosted Lens (Cat. LENSEURF).
Ground Spike 300mm (12") (Cat. /300).

Swivels:

Copper luminaires - 360° rotation and 0 - 90° elevation, solid brass with anti rust spring.

Stainless Steel luminaires - 360° rotation and 0 - 90° elevation, full stainless steel construction.