



LASER Exterior Pillar Lite



Pillar Lite
Cat. No. PIL

The Pillar Lite illuminates both upwards and downwards, giving columns, gateway pillars and entrances a dramatic effect. The Retro™ is a 110/240-12 ac mains option suited to an installation where mounting a transformer is a problem, e.g. a brick wall where there is only the cable protruding out of the wall and it is not an option to recess the transformer or when replacing an existing light fitting. The base size increases in size to accommodate the encapsulated IP66 dimmable transformer.

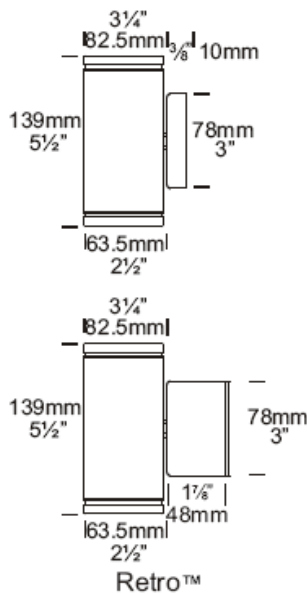
This luminaire is machined from a choice of 10mm thick aluminium with a UV stable powder coated finish, solid copper or 316 stainless steel with a clear, tempered, flush glass lens and high temperature silicon gaskets.

Ordering Information

Luminaire Type	Material/Finish	Accessories
PIL - Pillar Lite	BK - Black BZ - Bronze GN - Green STAR - Silver Star WH - White COP - Copper SS - 316 Stainless Steel	CJK150 - Cable Joint Kit LENSSTEPF - Frosted Lens GG - Glare Guard HCL - Hex Cell Louvre Adaptor For an alternative LED option start at page 10.4

Ordering Example PIL COP - Pillar Lite in Copper
PIL/R GN - Pillar Lite Retro in Green

HCL BK - Hex Cell Louvre Adaptor in Black
(Accessories ordered separately)



Luminaire Construction	Features
<p>CNC machined from one of the following metals:</p> <p>Body: High corrosion resistant low copper 63.5mm (2 1/2") x 10mm (25/64") aluminium.</p> <p>Base & Mounting Plate: Cast from virgin high corrosion resistant CC401 low copper aluminium alloy chromate substrate and high UV resistant polyester powder coat - Black, Bronze, Green, Silver Star, White.</p> <p>Body: Copper 63.5mm (2 1/2") x 10mm (25/64").</p> <p>Base: Copper Hand spun 2mm (5/64").</p> <p>Mounting Plate: Forged brass (Retro™).</p> <p>Body: 316 Stainless steel 63.5mm (2 1/2") x 9mm (11/32") rod.</p> <p>Base: Investment cast and CNC Machined (Retro™).</p> <p>Mounting Plate: Investment cast and CNC machined.</p>	<p>Lens: 10mm (3/8") clear flush fit shatter resistant glass. Life Time Warranty.</p> <p>Gaskets: Silicone, iron impregnated 220°C (428°F)</p> <p>Lamp Holders: GU5.3 - 350°C (662°F) ceramic multi contact lamp holder with 250°C (480°F) teflon cables.</p> <p>Accessories: Cable Joint Kit (Cat. CJK150) Not approved for USA/Canada. Frosted Lenses (Cat. LENSSTEPF). Glare Guards (Cat. GG). Hex Cell Louvre Adaptors (Cat. HCL). Retro™ Transformer 110/240-12 volt (Cat. /R). Wall Box Adaptor Plate (Cat. WBAP 12 volt luminaire USA/Canada).</p>
<p>Mounting</p> <p>12 volt: the luminaire is mounted to the wall using two 316 stainless screws through a shallow base 16mm (5/8") in depth. A Wall Box Adaptor Plate is available as an accessory to fit 3.0 and 4.0 junction boxes for USA/Canada.</p> <p>Retro™ luminaire (110/240-12 volt): a mounting plate is fixed to the wall using two screws and then the luminaire is fixed to the mounting plate.</p>	