



**DL 4022 Giga**  
Lampada alogenuri metallici  
Metal halide lamp

	599.4022.1.71.00.1	HIE-CE	E27	1 x 70 W	BI/WH
	599.4022.1.71.00.2	HIE-CE	E27	1 x 70 W	NE/BK
	599.4022.1.71.00.3	HIE-CE	E27	1 x 70 W	GI/GR
	599.4022.1.71.00.4	HIE-CE	E27	1 x 70 W	AN/AN
	599.4022.1.71.00.0	HIE-CE	E27	1 x 70 W	AR/SI

**DL 4022 Giga**  
Lampada sodio alta pressione  
High pressure sodium lamp

	599.4022.1.59.00.1	HSE-I	E27	1 x 70 W	BI/WH
	599.4022.1.59.00.2	HSE-I	E27	1 x 70 W	NE/BK
	599.4022.1.59.00.3	HSE-I	E27	1 x 70 W	GI/GR
	599.4022.1.59.00.4	HSE-I	E27	1 x 70 W	AN/AN
	599.4022.1.59.00.0	HSE-I	E27	1 x 70 W	AR/SI

**DL 4022 Giga**  
Lampada a vapori di mercurio  
Mercury vapour lamp

	599.4022.1.55.00.1	HME	E27	1 x 80 W	BI/WH
	599.4022.1.55.00.2	HME	E27	1 x 80 W	NE/BK
	599.4022.1.55.00.3	HME	E27	1 x 80 W	GI/GR
	599.4022.1.55.00.4	HME	E27	1 x 80 W	AN/AN
	599.4022.1.55.00.0	HME	E27	1 x 80 W	AR/SI

**DL 4022 Giga**  
Lampada fluorescente compatta  
Compact fluorescent lamp

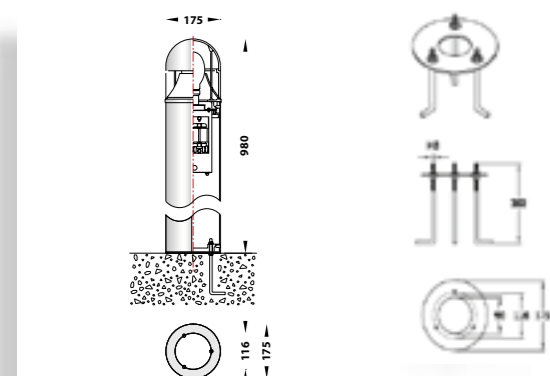
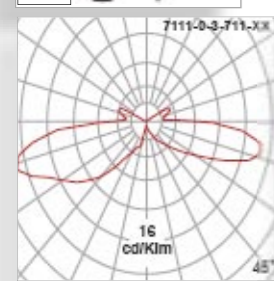
	599.4022.1.46.00.1	TC-D	G24-d3	1 x 26 W	BI/WH
	599.4022.1.46.00.2	TC-D	G24-d3	1 x 26 W	NE/BK
	599.4022.1.46.00.3	TC-D	G24-d3	1 x 26 W	GI/GR
	599.4022.1.46.00.4	TC-D	G24-d3	1 x 26 W	AN/AN
	599.4022.1.46.00.0	TC-D	G24-d3	1 x 26 W	AR/SI

**DL 4022 Giga**  
Lampada fluorescente compatta elettronica  
Electronic fluorescent lamp

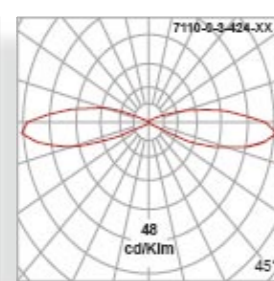
	599.4022.1.54.00.1	TC-TSE	E27	1 x 23 W	BI/WH
	599.4022.1.54.00.2	TC-TSE	E27	1 x 23 W	NE/BK
	599.4022.1.54.00.3	TC-TSE	E27	1 x 23 W	GI/GR
	599.4022.1.54.00.4	TC-TSE	E27	1 x 23 W	AN/AN
	599.4022.1.54.00.0	TC-TSE	E27	1 x 23 W	AR/SI

**DL 4022 Giga**  
Lampada alogena  
Halogen Lamp

	599.4022.1.24.00.1	QT32	E27	1 x 100 W	BI/WH
	599.4022.1.24.00.2	QT32	E27	1 x 100 W	NE/BK
	599.4022.1.24.00.3	QT32	E27	1 x 100 W	GI/GR
	599.4022.1.24.00.4	QT32	E27	1 x 100 W	AN/AN
	599.4022.1.24.00.0	QT32	E27	1 x 100 W	AR/SI

599.9030.A.00.00.Z  
Base di ancoraggio  
Anchor bolt kit

HI-CE E27 70W



TC-D G24d-3 26W

CORPO IN ALLUMINIO ESTRUSO S6063  
COPERCHI E BASE DI FISSAGGIO IN PRESSOFUSIONE DI ALLUMINIO ADC12 VERNICIATO A  
POLVERE CON PRETRATTAMENTO SPECIALE PER ESTERNI  
DIFFUSORE IN POLICARBONATO AUTOESTINGUENTE STABILIZZATO UV  
RIFLETTORE IN ALLUMINIO PURISSIMO  
VITERIA IN ACCIAIO INOX  
GUARNIZIONI IN GOMMA SILICONICA. TEMPERATURA DI SERVIZIO -40° +250°C

BODY IN CORROSION RESISTANT EXTRUSION ALUMINIUM S6063  
COVERS AND WALL BRACKET IN HIGH-PRESSURE DIE-CAST ALUMINIUM ADC12 ALLOY  
POWDER COATED WITH PRETREATMENT FOR OUTDOOR USE  
SELF-EXTINGUISHING IMPACT RESISTANT POLYCARBONATE DIFFUSER WITH UV STABILIZED  
ADDITIVE  
HIGH PURITY ALUMINIUM REFLECTOR  
STAINLESS STEEL SCREWS  
WEATHER PROOF AND DURABLE SILICONE GASKET. SERVICE TEMPERATURE -40° +250°C



**DL 4123 Giga**  
Lampada alogenuri metallici  
Metal halide lamp

	599.4123.1.71.00.1	HIE-CE	E27	1 x 70 W	BI/WH
	599.4123.1.71.00.2	HIE-CE	E27	1 x 70 W	NE/BK
	599.4123.1.71.00.3	HIE-CE	E27	1 x 70 W	GI/GR
	599.4123.1.71.00.4	HIE-CE	E27	1 x 70 W	AN/AN
	599.4123.1.71.00.0	HIE-CE	E27	1 x 70 W	AR/SI

**DL 4123 Giga**  
Lampada sodio alta pressione  
High pressure sodium lamp

	599.4123.1.59.00.1	HSE-I	E27	1 x 70 W	BI/WH
	599.4123.1.59.00.2	HSE-I	E27	1 x 70 W	NE/BK
	599.4123.1.59.00.3	HSE-I	E27	1 x 70 W	GI/GR
	599.4123.1.59.00.4	HSE-I	E27	1 x 70 W	AN/AN
	599.4123.1.59.00.0	HSE-I	E27	1 x 70 W	AR/SI

**DL 4123 Giga**  
Lampada a vapori di mercurio  
Mercury vapour lamp

	599.4123.1.55.00.1	HME	E27	1 x 80 W	BI/WH
	599.4123.1.55.00.2	HME	E27	1 x 80 W	NE/BK
	599.4123.1.55.00.3	HME	E27	1 x 80 W	GI/GR
	599.4123.1.55.00.4	HME	E27	1 x 80 W	AN/AN
	599.4123.1.55.00.0	HME	E27	1 x 80 W	AR/SI

**DL 4123 Giga**  
Lampada fluorescente compatta  
Compact fluorescent lamp

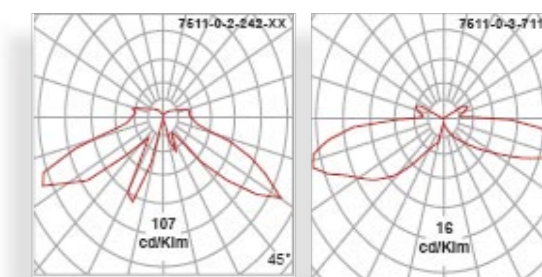
	599.4123.1.46.00.1	TC-D	G24-d3	1 x 26 W	BI/WH
	599.4123.1.46.00.2	TC-D	G24-d3	1 x 26 W	NE/BK
	599.4123.1.46.00.3	TC-D	G24-d3	1 x 26 W	GI/GR
	599.4123.1.46.00.4	TC-D	G24-d3	1 x 26 W	AN/AN
	599.4123.1.46.00.0	TC-D	G24-d3	1 x 26 W	AR/SI

**DL 4123 Giga**  
Lampada fluorescente compatta elettronica  
Electronic fluorescent lamp

	599.4123.1.54.00.1	TC-TSE	E27	1 x 23 W	BI/WH
	599.4123.1.54.00.2	TC-TSE	E27	1 x 23 W	NE/BK
	599.4123.1.54.00.3	TC-TSE	E27	1 x 23 W	GI/GR
	599.4123.1.54.00.4	TC-TSE	E27	1 x 23 W	AN/AN
	599.4123.1.54.00.0	TC-TSE	E27	1 x 23 W	AR/SI

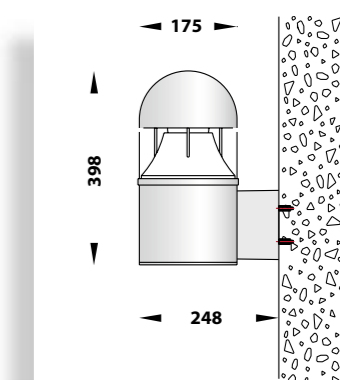
**DL 4123 Giga**  
Lampada alogena  
Halogen Lamp

	599.4123.1.24.00.1	QT32	E27	1 x 100 W	BI/WH
	599.4123.1.24.00.2	QT32	E27	1 x 100 W	NE/BK
	599.4123.1.24.00.3	QT32	E27	1 x 100 W	GI/GR
	599.4123.1.24.00.4	QT32	E27	1 x 100 W	AN/AN
	599.4123.1.24.00.0	QT32	E27	1 x 100 W	AR/SI



QT32 E27 100W

HI-CE E27 70W



CORPO IN ALLUMINIO ESTRUSO S6063  
COPERCHI E BASE DI FISSAGGIO IN PRESSOFUSIONE DI ALLUMINIO ADC12 VERNICIATO A  
POLVERE CON PRETRATTAMENTO SPECIALE PER ESTERNI  
DIFFUSORE IN POLICARBONATO AUTOESTINGUENTE STABILIZZATO UV  
SELF-EXTINGUISHING IMPACT RESISTANT POLYCARBONATE DIFFUSER WITH UV STABILIZED  
ADDITIVE  
RIFLETTORE IN ALLUMINIO PURISSIMO  
VITERIA IN ACCIAIO INOX  
GUARNIZIONI IN GOMMA SILICONICA. TEMPERATURA DI SERVIZIO -40° +250°C

BODY IN CORROSION RESISTANT EXTRUSION ALUMINIUM S6063  
COVERS AND WALL BRACKET IN HIGH-PRESSURE DIE-CAST ALUMINIUM ADC12 ALLOY  
POWDER COATED WITH PRETREATMENT FOR OUTDOOR USE  
HIGH PURITY ALUMINIUM REFLECTOR  
STAINLESS STEEL SCREWS  
WEATHER PROOF AND DURABLE SILICONE GASKET. SERVICE TEMPERATURE -40° +250°C



**DL 4023 Giga**  
Lampada alogenuri metallici  
Metal halide lamp

	599.4023.1.71.00.1	HIE-CE	E27	1 x 70 W	BI/WH
	599.4023.1.71.00.2	HIE-CE	E27	1 x 70 W	NE/BK
	599.4023.1.71.00.3	HIE-CE	E27	1 x 70 W	GI/GR
	599.4023.1.71.00.4	HIE-CE	E27	1 x 70 W	AN/AN
	599.4023.1.71.00.0	HIE-CE	E27	1 x 70 W	AR/SI

**DL 4023 Giga**  
Lampada sodio alta pressione  
High pressure sodium lamp

	599.4023.1.59.00.1	HSE-I	E27	1 x 70 W	BI/WH
	599.4023.1.59.00.2	HSE-I	E27	1 x 70 W	NE/BK
	599.4023.1.59.00.3	HSE-I	E27	1 x 70 W	GI/GR
	599.4023.1.59.00.4	HSE-I	E27	1 x 70 W	AN/AN
	599.4023.1.59.00.0	HSE-I	E27	1 x 70 W	AR/SI

**DL 4023 Giga**  
Lampada a vapori di mercurio  
Mercury vapour lamp

	599.4023.1.55.00.1	HME	E27	1 x 80 W	BI/WH
	599.4023.1.55.00.2	HME	E27	1 x 80 W	NE/BK
	599.4023.1.55.00.3	HME	E27	1 x 80 W	GI/GR
	599.4023.1.55.00.4	HME	E27	1 x 80 W	AN/AN
	599.4023.1.55.00.0	HME	E27	1 x 80 W	AR/SI

**DL 4023 Giga**  
Lampada fluorescente compatta  
Compact fluorescent lamp

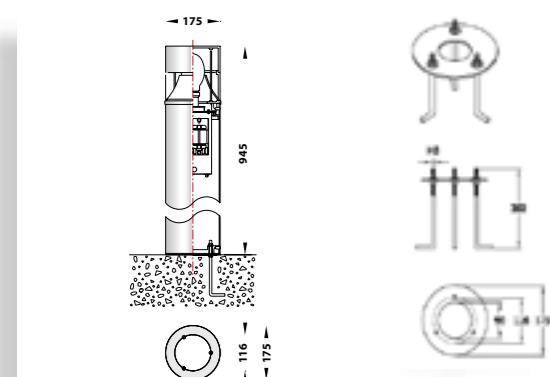
	599.4023.1.46.00.1	TC-D	G24-d3	1 x 26 W	BI/WH
	599.4023.1.46.00.2	TC-D	G24-d3	1 x 26 W	NE/BK
	599.4023.1.46.00.3	TC-D	G24-d3	1 x 26 W	GI/GR
	599.4023.1.46.00.4	TC-D	G24-d3	1 x 26 W	AN/AN
	599.4023.1.46.00.0	TC-D	G24-d3	1 x 26 W	AR/SI

**DL 4023 Giga**  
Lampada fluorescente compatta elettronica  
Electronic fluorescent lamp

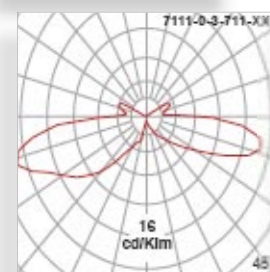
	599.4023.1.54.00.1	TC-TSE	E27	1 x 23 W	BI/WH
	599.4023.1.54.00.2	TC-TSE	E27	1 x 23 W	NE/BK
	599.4023.1.54.00.3	TC-TSE	E27	1 x 23 W	GI/GR
	599.4023.1.54.00.4	TC-TSE	E27	1 x 23 W	AN/AN
	599.4023.1.54.00.0	TC-TSE	E27	1 x 23 W	AR/SI

**DL 4023 Giga**  
Lampada alogena  
Halogen Lamp

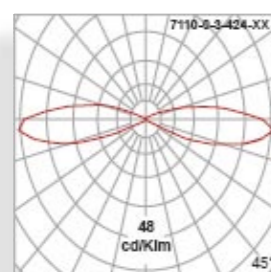
	599.4023.1.24.00.1	QT32	E27	1 x 100 W	BI/WH
	599.4023.1.24.00.2	QT32	E27	1 x 100 W	NE/BK
	599.4023.1.24.00.3	QT32	E27	1 x 100 W	GI/GR
	599.4023.1.24.00.4	QT32	E27	1 x 100 W	AN/AN
	599.4023.1.24.00.0	QT32	E27	1 x 100 W	AR/SI



599.9030.A.00.00.Z  
Base di ancoraggio  
Anchor bolt kit



HE-CE E27 70W



QT32 E27 100W

CORPO IN ALLUMINIO ESTRUSO S6063  
COPERCHI E BASE DI FISSAGGIO IN PRESSOFUSIONE DI ALLUMINIO ADC12 VERNICIATO A POLVERE CON PRETRATTAMENTO SPECIALE PER ESTERNI  
DIFFUSORE IN POLICARBONATO AUTOESTINGUENTE STABILIZZATO UV  
RIFLETTORE IN ALLUMINIO PURISSIMO  
VITERIA IN ACCIAIO INOX  
GUARNIZIONI IN GOMMA SILICONICA. TEMPERATURA DI SERVIZIO -40° +250°C

BODY IN CORROSION RESISTANT EXTRUSION ALUMINIUM S6063  
COVERS AND WALL BRACKET IN HIGH-PRESSURE DIE-CAST ALUMINIUM ADC12 ALLOY POWDER COATED WITH PRETREATMENT FOR OUTDOOR USE  
SELF-EXTINGUISHING IMPACT RESISTANT POLYCARBONATE DIFFUSER WITH UV STABILIZED ADDITIVE  
HIGH PURITY ALUMINIUM REFLECTOR  
STAINLESS STEEL SCREWS  
WEATHER PROOF AND DURABLE SILICONE GASKET. SERVICE TEMPERATURE -40° +250°C

**DL 4122 Giga**  
Lampada alogenuri metallici  
Metal halide lamp

	599.4122.1.71.00.1	HIE-CE	E27	1 x 70 W	BI/WH
	599.4122.1.71.00.2	HIE-CE	E27	1 x 70 W	NE/BK
	599.4122.1.71.00.3	HIE-CE	E27	1 x 70 W	GI/GR
	599.4122.1.71.00.4	HIE-CE	E27	1 x 70 W	AN/AN
	599.4122.1.71.00.0	HIE-CE	E27	1 x 70 W	AR/SI

**DL 4122 Giga**  
Lampada sodio alta pressione  
High pressure sodium lamp

	599.4122.1.59.00.1	HSE-I	E27	1 x 70 W	BI/WH
	599.4122.1.59.00.2	HSE-I	E27	1 x 70 W	NE/BK
	599.4122.1.59.00.3	HSE-I	E27	1 x 70 W	GI/GR
	599.4122.1.59.00.4	HSE-I	E27	1 x 70 W	AN/AN
	599.4122.1.59.00.0	HSE-I	E27	1 x 70 W	AR/SI

**DL 4122 Giga**  
Lampada a vapori di mercurio  
Mercury vapour lamp

	599.4122.1.55.00.1	HME	E27	1 x 80 W	BI/WH
	599.4122.1.55.00.2	HME	E27	1 x 80 W	NE/BK
	599.4122.1.55.00.3	HME	E27	1 x 80 W	GI/GR
	599.4122.1.55.00.4	HME	E27	1 x 80 W	AN/AN
	599.4122.1.55.00.0	HME	E27	1 x 80 W	AR/SI

**DL 4122 Giga**  
Lampada incandescenza standard  
Standard incandescent Lamp

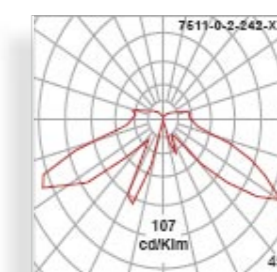
	599.4122.1.46.00.1	TC-D	G24-d3	1 x 26 W	BI/WH
	599.4122.1.46.00.2	TC-D	G24-d3	1 x 26 W	NE/BK
	599.4122.1.46.00.3	TC-D	G24-d3	1 x 26 W	GI/GR
	599.4122.1.46.00.4	TC-D	G24-d3	1 x 26 W	AN/AN
	599.4122.1.46.00.0	TC-D	G24-d3	1 x 26 W	AR/SI

**DL 4122 Giga**  
Lampada fluorescente compatta elettronica  
Electronic fluorescent lamp

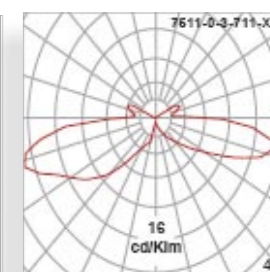
	599.4122.1.54.00.1	TC-TSE	E27	1 x 23 W	BI/WH
	599.4122.1.54.00.2	TC-TSE	E27	1 x 23 W	NE/BK
	599.4122.1.54.00.3	TC-TSE	E27	1 x 23 W	GI/GR
	599.4122.1.54.00.4	TC-TSE	E27	1 x 23 W	AN/AN
	599.4122.1.54.00.0	TC-TSE	E27	1 x 23 W	AR/SI

**DL 4122 Giga**  
Lampada alogena  
Halogen Lamp

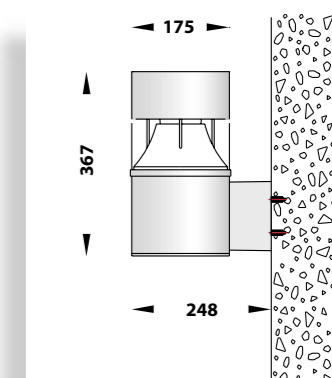
	599.4122.1.24.00.1	QT32	E27	1 x 100 W	BI/WH
	599.4122.1.24.00.2	QT32	E27	1 x 100 W	NE/BK
	599.4122.1.24.00.3	QT32	E27	1 x 100 W	GI/GR
	599.4122.1.24.00.4	QT32	E27	1 x 100 W	AN/AN
	599.4122.1.24.00.0	QT32	E27	1 x 100 W	AR/SI



TC-D G24d-3 26W



HE-CE E27 70W



CORPO IN ALLUMINIO ESTRUSO S6063  
COPERCHI E BASE DI FISSAGGIO IN PRESSOFUSIONE DI ALLUMINIO ADC12 VERNICIATO A POLVERE CON PRETRATTAMENTO SPECIALE PER ESTERNI  
DIFFUSORE IN POLICARBONATO AUTOESTINGUENTE STABILIZZATO UV  
SELF-EXTINGUISHING IMPACT RESISTANT POLYCARBONATE DIFFUSER WITH UV STABILIZED ADDITIVE  
RIFLETTORE IN ALLUMINIO PURISSIMO  
VITERIA IN ACCIAIO INOX  
GUARNIZIONI IN GOMMA SILICONICA. TEMPERATURA DI SERVIZIO -40° +250°C

BODY IN CORROSION RESISTANT EXTRUSION ALUMINIUM S6063  
COVERS AND WALL BRACKET IN HIGH-PRESSURE DIE-CAST ALUMINIUM ADC12 ALLOY POWDER COATED WITH PRETREATMENT FOR OUTDOOR USE  
HIGH PURITY ALUMINIUM REFLECTOR  
STAINLESS STEEL SCREWS  
WEATHER PROOF AND DURABLE SILICONE GASKET. SERVICE TEMPERATURE -40° +250°C