



DL 4020 Net

Lampada alogenuri metallici
Metal halide lamp

	599.4020.1.71.00.1	HIE-CE	E27	1 x 70 W BI/WH
	599.4020.1.71.00.2	HIE-CE	E27	1 x 70 W NE/BK
	599.4020.1.71.00.3	HIE-CE	E27	1 x 70 W GI/GR
	599.4020.1.71.00.4	HIE-CE	E27	1 x 70 W AN/AN
	599.4020.1.71.00.0	HIE-CE	E27	1 x 70 W AR/SI

DL 4020 Net

Lampada sodio alta pressione
High pressure sodium lamp

	599.4020.1.59.00.1	HSE-I	E27	1 x 70 W BI/WH
	599.4020.1.59.00.2	HSE-I	E27	1 x 70 W NE/BK
	599.4020.1.59.00.3	HSE-I	E27	1 x 70 W GI/GR
	599.4020.1.59.00.4	HSE-I	E27	1 x 70 W AN/AN
	599.4020.1.59.00.0	HSE-I	E27	1 x 70 W AR/SI

DL 4020 Net

Lampada a vapori di mercurio
Mercury vapour lamp

	599.4020.1.55.00.1	HME	E27	1 x 80 W BI/WH
	599.4020.1.55.00.2	HME	E27	1 x 80 W NE/BK
	599.4020.1.55.00.3	HME	E27	1 x 80 W GI/GR
	599.4020.1.55.00.4	HME	E27	1 x 80 W AN/AN
	599.4020.1.55.00.0	HME	E27	1 x 80 W AR/SI

DL 4020 Net

Lampada fluorescente compatta
Compact fluorescent lamp

	599.4020.1.46.00.1	TC-D	G24-d3	1 x 26 W BI/WH
	599.4020.1.46.00.2	TC-D	G24-d3	1 x 26 W NE/BK
	599.4020.1.46.00.3	TC-D	G24-d3	1 x 26 W GI/GR
	599.4020.1.46.00.4	TC-D	G24-d3	1 x 26 W AN/AN
	599.4020.1.46.00.0	TC-D	G24-d3	1 x 26 W AR/SI

DL 4020 Net

Lampada fluorescente compatta
Compact fluorescent lamp

	599.4020.1.52.00.1	TC-TEL	GX24-q4	1 x 42 W BI/WH
	599.4020.1.52.00.2	TC-TEL	GX24-q4	1 x 42 W NE/BK
	599.4020.1.52.00.3	TC-TEL	GX24-q4	1 x 42 W GI/GR
	599.4020.1.52.00.4	TC-TEL	GX24-q4	1 x 42 W AN/AN
	599.4020.1.52.00.0	TC-TEL	GX24-q4	1 x 42 W AR/SI

DL 4020 Net

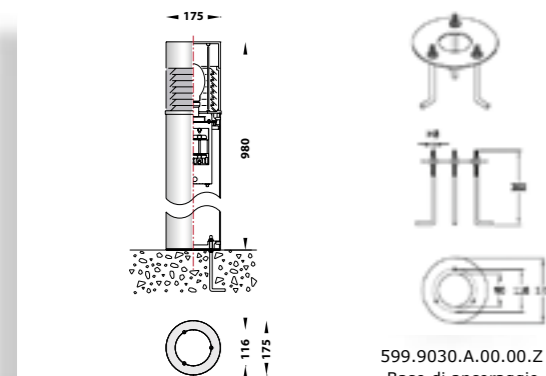
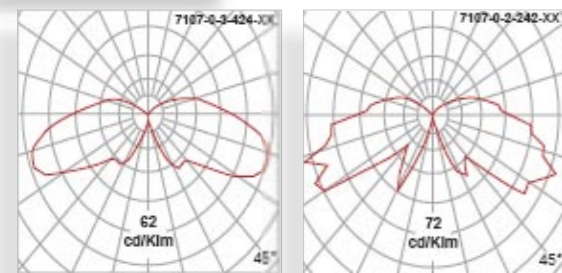
Lampada fluorescente compatta elettronica
Electronic fluorescent lamp

	599.4020.1.54.00.1	TC-TSE	E27	1 x 23 W BI/WH
	599.4020.1.54.00.2	TC-TSE	E27	1 x 23 W NE/BK
	599.4020.1.54.00.3	TC-TSE	E27	1 x 23 W GI/GR
	599.4020.1.54.00.4	TC-TSE	E27	1 x 23 W AN/AN
	599.4020.1.54.00.0	TC-TSE	E27	1 x 23 W AR/SI

DL 4020 Net

Lampada alogena
Halogen Lamp

	599.4020.1.24.00.1	QT32	E27	1 x 100 W BI/WH
	599.4020.1.24.00.2	QT32	E27	1 x 100 W NE/BK
	599.4020.1.24.00.3	QT32	E27	1 x 100 W GI/GR
	599.4020.1.24.00.4	QT32	E27	1 x 100 W AN/AN
	599.4020.1.24.00.0	QT32	E27	1 x 100 W AR/SI

599.9030.A.00.00.Z
Base di ancoraggio
Anchor bolt kit

TC-D G24d-3 26W

QT32 E27 100W

CORPO IN ALLUMINIO ESTRUSO S6063
COPERCHI E BASE DI FISSAGGIO IN PRESSOFUSIONE DI ALLUMINIO ADC12 VERNICIATO A POLVERE CON PRETRATTAMENTO SPECIALE PER ESTERNI
DIFFUSORE IN POLICARBONATO AUTOESTINGUENTE STABILIZZATO UV
RIFLETTORE IN ALLUMINIO PURISSIMO
VITERIA IN ACCIAIO INOX
GUARNIZIONI IN GOMMA SILICONICA. TEMPERATURA DI SERVIZIO -40° +250°C

BODY IN CORROSION RESISTANT EXTRUSION ALUMINIUM S6063
COVERS AND WALL BRACKET IN HIGH-PRESSURE DIE-CAST ALUMINIUM ADC12 ALLOY
POWDER COATED WITH PRETREATMENT FOR OUTDOOR USE
SELF-EXTINGUISHING IMPACT RESISTANT POLYCARBONATE DIFFUSER WITH UV STABILIZED ADDITIVE
HIGH PURITY ALUMINIUM REFLECTOR
STAINLESS STEEL SCREWS
WEATHER PROOF AND DURABLE SILICONE GASKET. SERVICE TEMPERATURE -40° +250°C



DL 4120 Net

Lampada alogenuri metallici
Metal halide lamp

	599.4120.1.71.00.1	HIE-CE	E27	1 x 70 W BI/WH
	599.4120.1.71.00.2	HIE-CE	E27	1 x 70 W NE/BK
	599.4120.1.71.00.3	HIE-CE	E27	1 x 70 W GI/GR
	599.4120.1.71.00.4	HIE-CE	E27	1 x 70 W AN/AN
	599.4120.1.71.00.0	HIE-CE	E27	1 x 70 W AR/SI

DL 4120 Net

Lampada sodio alta pressione
High pressure sodium lamp

	599.4120.1.59.00.1	HSE-I	E27	1 x 70 W BI/WH
	599.4120.1.59.00.2	HSE-I	E27	1 x 70 W NE/BK
	599.4120.1.59.00.3	HSE-I	E27	1 x 70 W GI/GR
	599.4120.1.59.00.4	HSE-I	E27	1 x 70 W AN/AN
	599.4120.1.59.00.0	HSE-I	E27	1 x 70 W AR/SI

DL 4120 Net

Lampada a vapori di mercurio
Mercury vapour lamp

	599.4120.1.55.00.1	HME	E27	1 x 80 W BI/WH
	599.4120.1.55.00.2	HME	E27	1 x 80 W NE/BK
	599.4120.1.55.00.3	HME	E27	1 x 80 W GI/GR
	599.4120.1.55.00.4	HME	E27	1 x 80 W AN/AN
	599.4120.1.55.00.0	HME	E27	1 x 80 W AR/SI

DL 4120 Net

Lampada fluorescente compatta
Compact fluorescent lamp

	599.4120.1.46.00.1	TC-D	G24-d3	1 x 26 W BI/WH
	599.4120.1.46.00.2	TC-D	G24-d3	1 x 26 W NE/BK
	599.4120.1.46.00.3	TC-D	G24-d3	1 x 26 W GI/GR
	599.4120.1.46.00.4	TC-D	G24-d3	1 x 26 W AN/AN
	599.4120.1.46.00.0	TC-D	G24-d3	1 x 26 W AR/SI

DL 4120 Net

Lampada fluorescente compatta
Compact fluorescent lamp

	599.4120.1.52.00.1	TC-TEL	GX24-q4	1 x 42 W BI/WH
	599.4120.1.52.00.2	TC-TEL	GX24-q4	1 x 42 W NE/BK
	599.4120.1.52.00.3	TC-TEL	GX24-q4	1 x 42 W GI/GR
	599.4120.1.52.00.4	TC-TEL	GX24-q4	1 x 42 W AN/AN
	599.4120.1.52.00.0	TC-TEL	GX24-q4	1 x 42 W AR/SI

DL 4120 Net

Lampada fluorescente compatta elettronica
Electronic fluorescent lamp

	599.4120.1.54.00.1	TC-TSE	E27	1 x 23 W BI/WH
	599.4120.1.54.00.2	TC-TSE	E27	1 x 23 W NE/BK
	599.4120.1.54.00.3	TC-TSE	E27	1 x 23 W GI/GR
	599.4120.1.54.00.4	TC-TSE	E27	1 x 23 W AN/AN
	599.4120.1.54.00.0	TC-TSE	E27	1 x 23 W AR/SI

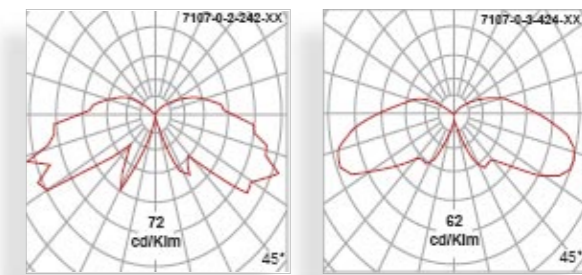
DL 4120 Net

Lampada alogena
Halogen Lamp

	599.4120.1.24.00.1	QT32	E27	1 x 100 W BI/WH
	599.4120.1.24.00.2	QT32	E27	1 x 100 W NE/BK
	599.4120.1.24.00.3	QT32	E27	1 x 100 W GI/GR
	599.4120.1.24.00.4	QT32	E27	1 x 100 W AN/AN
	599.4120.1.24.00.0	QT32	E27	1 x 100 W AR/SI

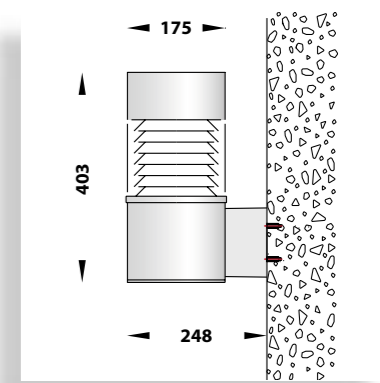


NEW



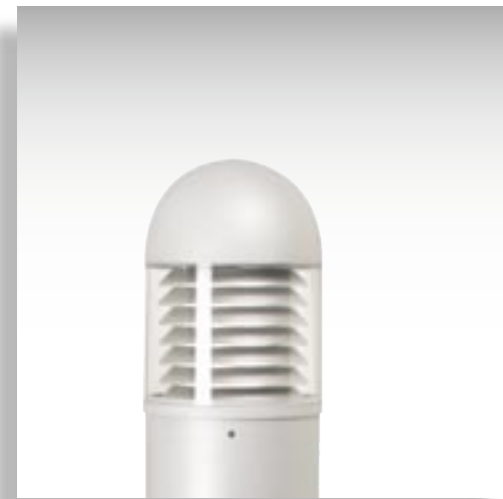
QT32 E27 100W

TC-D G24d-3 26W



CORPO IN ALLUMINIO ESTRUSO S6063
COPERCHI E BASE DI FISSAGGIO IN PRESSOFUSIONE DI ALLUMINIO ADC12 VERNICIATO A POLVERE CON PRETRATTAMENTO SPECIALE PER ESTERNI
DIFFUSORE IN POLICARBONATO AUTOESTINGUENTE STABILIZZATO UV
SELF-EXTINGUISHING IMPACT RESISTANT POLYCARBONATE DIFFUSER WITH UV STABILIZED ADDITIVE
RIFLETTORE IN ALLUMINIO PURISSIMO
VITERIA IN ACCIAIO INOX
GUARNIZIONI IN GOMMA SILICONICA. TEMPERATURA DI SERVIZIO -40° +250°C

BODY IN CORROSION RESISTANT EXTRUSION ALUMINIUM S6063
COVERS AND WALL BRACKET IN HIGH-PRESSURE DIE-CAST ALUMINIUM ADC12 ALLOY
POWDER COATED WITH PRETREATMENT FOR OUTDOOR USE
HIGH PURITY ALUMINIUM REFLECTOR
STAINLESS STEEL SCREWS
WEATHER PROOF AND DURABLE SILICONE GASKET. SERVICE TEMPERATURE -40° +250°C



DL 4021 Net

Lampada alogenuri metallici
Metal halide lamp

	599.4021.1.71.00.1	HIE-CE	E27	1 x 70 W	BI/WH
	599.4021.1.71.00.2	HIE-CE	E27	1 x 70 W	NE/BK
	599.4021.1.71.00.3	HIE-CE	E27	1 x 70 W	GI/GR
	599.4021.1.71.00.4	HIE-CE	E27	1 x 70 W	AN/AN
	599.4021.1.71.00.0	HIE-CE	E27	1 x 70 W	AR/SI

DL 4021 Net

Lampada sodio alta pressione
High pressure sodium lamp

	599.4021.1.59.00.1	HSE-I	E27	1 x 70 W	BI/WH
	599.4021.1.59.00.2	HSE-I	E27	1 x 70 W	NE/BK
	599.4021.1.59.00.3	HSE-I	E27	1 x 70 W	GI/GR
	599.4021.1.59.00.4	HSE-I	E27	1 x 70 W	AN/AN
	599.4021.1.59.00.0	HSE-I	E27	1 x 70 W	AR/SI

DL 4021 Net

Lampada a vapori di mercurio
Mercury vapour lamp

	599.4021.1.55.00.1	HME	E27	1 x 80 W	BI/WH
	599.4021.1.55.00.2	HME	E27	1 x 80 W	NE/BK
	599.4021.1.55.00.3	HME	E27	1 x 80 W	GI/GR
	599.4021.1.55.00.4	HME	E27	1 x 80 W	AN/AN
	599.4021.1.55.00.0	HME	E27	1 x 80 W	AR/SI

DL 4021 Net

Lampada fluorescente compatta
Compact fluorescent lamp

	599.4021.1.46.00.1	TC-D	G24-d3	1 x 26 W	BI/WH
	599.4021.1.46.00.2	TC-D	G24-d3	1 x 26 W	NE/BK
	599.4021.1.46.00.3	TC-D	G24-d3	1 x 26 W	GI/GR
	599.4021.1.46.00.4	TC-D	G24-d3	1 x 26 W	AN/AN
	599.4021.1.46.00.0	TC-D	G24-d3	1 x 26 W	AR/SI

DL 4021 Net

Lampada fluorescente compatta
Compact fluorescent lamp

	599.4021.1.52.00.1	TC-TEL	GX24-q4	1 x 42 W	BI/WH
	599.4021.1.52.00.2	TC-TEL	GX24-q4	1 x 42 W	NE/BK
	599.4021.1.52.00.3	TC-TEL	GX24-q4	1 x 42 W	GI/GR
	599.4021.1.52.00.4	TC-TEL	GX24-q4	1 x 42 W	AN/AN
	599.4021.1.52.00.0	TC-TEL	GX24-q4	1 x 42 W	AR/SI

DL 4021 Net

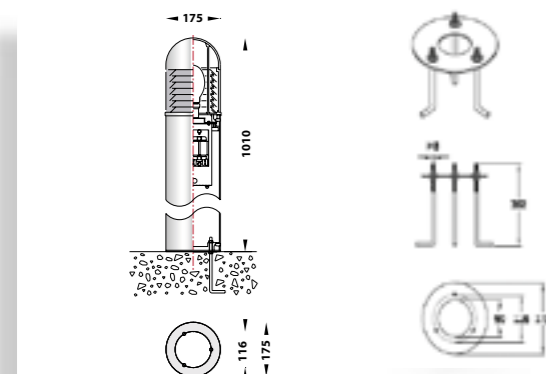
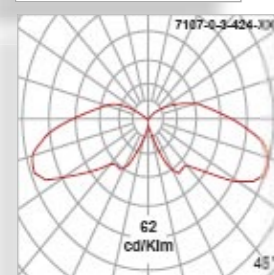
Lampada fluorescente compatta elettronica
Electronic fluorescent lamp

	599.4021.1.54.00.1	TC-TSE	E27	1 x 23 W	BI/WH
	599.4021.1.54.00.2	TC-TSE	E27	1 x 23 W	NE/BK
	599.4021.1.54.00.3	TC-TSE	E27	1 x 23 W	GI/GR
	599.4021.1.54.00.4	TC-TSE	E27	1 x 23 W	AN/AN
	599.4021.1.54.00.0	TC-TSE	E27	1 x 23 W	AR/SI

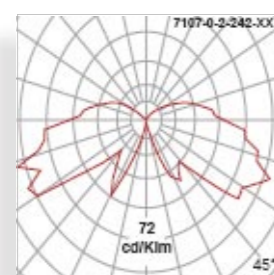
DL 4021 NetNet

Lampada alogena
Halogen Lamp

	599.4021.1.24.00.1	QT32	E27	1 x 100 W	BI/WH
	599.4021.1.24.00.2	QT32	E27	1 x 100 W	NE/BK
	599.4021.1.24.00.3	QT32	E27	1 x 100 W	GI/GR
	599.4021.1.24.00.4	QT32	E27	1 x 100 W	AN/AN
	599.4021.1.24.00.0	QT32	E27	1 x 100 W	AR/SI

599.9030.A.00.00.Z
Base di ancoraggio
Anchor bolt kit

TC-D G24-3 26W



QT32 E27 100W

CORPO IN ALLUMINIO ESTRUSO S6063
COPERCHI E BASE DI FISSAGGIO IN PRESSOFUSIONE DI ALLUMINIO ADC12 VERNICIATO A POLVERE CON PRETRATTAMENTO SPECIALE PER ESTERNI
DIFFUSORE IN POLICARBONATO AUTOESTINGUENTE STABILIZZATO UV
RIFLETTORE IN ALLUMINIO PURISSIMO
VITERIA IN ACCIAIO INOX
GUARNIZIONI IN GOMMA SILICONICA. TEMPERATURA DI SERVIZIO -40° +250°C

BODY IN CORROSION RESISTANT EXTRUSION ALUMINIUM S6063
COVERS AND WALL BRACKET IN HIGH-PRESSURE DIE-CAST ALUMINIUM ADC12 ALLOY
POWDER COATED WITH PRETREATMENT FOR OUTDOOR USE
SELF-EXTINGUISHING IMPACT RESISTANT POLYCARBONATE DIFFUSER WITH UV STABILIZED ADDITIVE
HIGH PURITY ALUMINIUM REFLECTOR
STAINLESS STEEL SCREWS
WEATHER PROOF AND DURABLE SILICONE GASKET. SERVICE TEMPERATURE -40° +250°C

DL 4121 Net

Lampada alogenuri metallici
Metal halide lamp

	599.4121.1.71.00.1	HIE-CE	E27	1 x 70 W	BI/WH
	599.4121.1.71.00.2	HIE-CE	E27	1 x 70 W	NE/BK
	599.4121.1.71.00.3	HIE-CE	E27	1 x 70 W	GI/GR
	599.4121.1.71.00.4	HIE-CE	E27	1 x 70 W	AN/AN
	599.4121.1.71.00.0	HIE-CE	E27	1 x 70 W	AR/SI

DL 4121 Net

Lampada sodio alta pressione
High pressure sodium lamp

	599.4121.1.59.00.1	HSE-I	E27	1 x 70 W	BI/WH
	599.4121.1.59.00.2	HSE-I	E27	1 x 70 W	NE/BK
	599.4121.1.59.00.3	HSE-I	E27	1 x 70 W	GI/GR
	599.4121.1.59.00.4	HSE-I	E27	1 x 70 W	AN/AN
	599.4121.1.59.00.0	HSE-I	E27	1 x 70 W	AR/SI

DL 4121 Net

Lampada a vapori di mercurio
Mercury vapour lamp

	599.4121.1.55.00.1	HME	E27	1 x 80 W	BI/WH
	599.4121.1.55.00.2	HME	E27	1 x 80 W	NE/BK
	599.4121.1.55.00.3	HME	E27	1 x 80 W	GI/GR
	599.4121.1.55.00.4	HME	E27	1 x 80 W	AN/AN
	599.4121.1.55.00.0	HME	E27	1 x 80 W	AR/SI

DL 4121 Net

Lampada fluorescente compatta
Compact fluorescent lamp

	599.4121.1.46.00.1	TC-D	G24-d3	1 x 26 W	BI/WH
	599.4121.1.46.00.2	TC-D	G24-d3	1 x 26 W	NE/BK
	599.4121.1.46.00.3	TC-D	G24-d3	1 x 26 W	GI/GR
	599.4121.1.46.00.4	TC-D	G24-d3	1 x 26 W	AN/AN
	599.4121.1.46.00.0	TC-D	G24-d3	1 x 26 W	AR/SI

DL 4120 Net

Lampada fluorescente compatta
Compact fluorescent lamp

	599.4121.1.52.00.1	TC-TEL	GX24-q4	1 x 42 W	BI/WH
	599.4121.1.52.00.2	TC-TEL	GX24-q4	1 x 42 W	NE/BK
	599.4121.1.52.00.3	TC-TEL	GX24-q4	1 x 42 W	GI/GR
	599.4121.1.52.00.4	TC-TEL	GX24-q4	1 x 42 W	AN/AN
	599.4121.1.52.00.0	TC-TEL	GX24-q4	1 x 42 W	AR/SI

DL 4120 Net

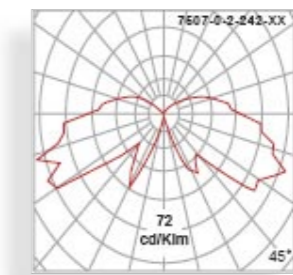
Lampada fluorescente compatta elettronica
Electronic fluorescent lamp

	599.4121.1.54.00.1	TC-TSE	E27	1 x 23 W	BI/WH
	599.4121.1.54.00.2	TC-TSE	E27	1 x 23 W	NE/BK
	599.4121.1.54.00.3	TC-TSE	E27	1 x 23 W	GI/GR
	599.4121.1.54.00.4	TC-TSE	E27	1 x 23 W	AN/AN
	599.4121.1.54.00.0	TC-TSE	E27	1 x 23 W	AR/SI

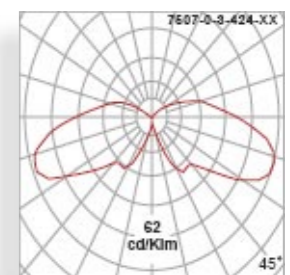
DL 4120 Net

Lampada alogena
Halogen Lamp

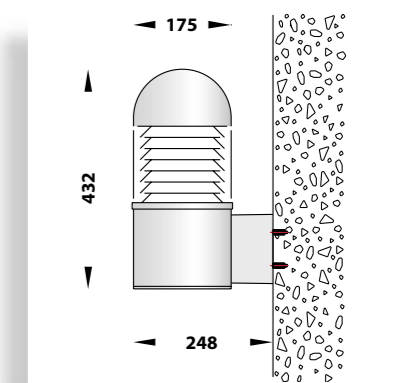
	599.4121.1.24.00.1	QT32	E27	1 x 100 W	BI/WH
	599.4121.1.24.00.2	QT32	E27	1 x 100 W	NE/BK
	599.4121.1.24.00.3	QT32	E27	1 x 100 W	GI/GR
	599.4121.1.24.00.4	QT32	E27	1 x 100 W	AN/AN
	599.4121.1.24.00.0	QT32	E27	1 x 100 W	AR/SI



QT32 E27 100W



TC-D G24-3 26W



CORPO IN ALLUMINIO ESTRUSO S6063
COPERCHI E BASE DI FISSAGGIO IN PRESSOFUSIONE DI ALLUMINIO ADC12 VERNICIATO A POLVERE CON PRETRATTAMENTO SPECIALE PER ESTERNI
DIFFUSORE IN POLICARBONATO AUTOESTINGUENTE STABILIZZATO UV
SELF-EXTINGUISHING IMPACT RESISTANT POLYCARBONATE DIFFUSER WITH UV STABILIZED ADDITIVE
RIFLETTORE IN ALLUMINIO PURISSIMO
VITERIA IN ACCIAIO INOX
GUARNIZIONI IN GOMMA SILICONICA. TEMPERATURA DI SERVIZIO -40° +250°C

BODY IN CORROSION RESISTANT EXTRUSION ALUMINIUM S6063
COVERS AND WALL BRACKET IN HIGH-PRESSURE DIE-CAST ALUMINIUM ADC12 ALLOY
POWDER COATED WITH PRETREATMENT FOR OUTDOOR USE
HIGH PURITY ALUMINIUM REFLECTOR
STAINLESS STEEL SCREWS
WEATHER PROOF AND DURABLE SILICONE GASKET. SERVICE TEMPERATURE -40° +250°C