



DL 1300 Golden

Lampada alogenuri metallici
Metal halide lamp

599.1300.1.75.00.1	HIT-CE	E27	1 x 70 W	BI/WH
599.1300.1.75.00.2	HIT-CE	E27	1 x 70 W	NE/BK
599.1300.1.75.00.3	HIT-CE	E27	1 x 70 W	GI/GR
599.1300.1.75.00.4	HIT-CE	E27	1 x 70 W	AN/AN
599.1300.1.75.00.0	HIT-CE	E27	1 x 70 W	AR/SI

DL 1300 Golden

Lampada sodio alta pressione
High pressure sodium lamp

599.1300.1.63.00.1	HST-MF	E27	1 x 70 W	BI/WH
599.1300.1.63.00.2	HST-MF	E27	1 x 70 W	NE/BK
599.1300.1.63.00.3	HST-MF	E27	1 x 70 W	GI/GR
599.1300.1.63.00.4	HST-MF	E27	1 x 70 W	AN/AN
599.1300.1.63.00.0	HST-MF	E27	1 x 70 W	AR/SI

DL 1300 Golden

Lampada alogenuri metallici
Metal halide lamp

599.1300.1.79.00.1	HIT-DE-CE	Rx7s	1 x 70 W	BI/WH
599.1300.1.79.00.2	HIT-DE-CE	Rx7s	1 x 70 W	NE/BK
599.1300.1.79.00.3	HIT-DE-CE	Rx7s	1 x 70 W	GI/GR
599.1300.1.79.00.4	HIT-DE-CE	Rx7s	1 x 70 W	AN/AN
599.1300.1.79.00.0	HIT-DE-CE	Rx7s	1 x 70 W	AR/SI

DL 1300 Golden

Lampada sodio alta pressione
High pressure sodium lamp

599.1300.1.67.00.1	HST-DE-CE	Rx7s	1 x 70 W	BI/WH
599.1300.1.67.00.2	HST-DE-CE	Rx7s	1 x 70 W	NE/BK
599.1300.1.67.00.3	HST-DE-CE	Rx7s	1 x 70 W	GI/GR
599.1300.1.67.00.4	HST-DE-CE	Rx7s	1 x 70 W	AN/AN
599.1300.1.67.00.0	HST-DE-CE	Rx7s	1 x 70 W	AR/SI

DL 1300 Golden

Lampada sodio alta pressione
High pressure sodium lamp

599.1300.1.68.00.1	HST-DE-CE	Rx7s	1 x 150 W	BI/WH
599.1300.1.68.00.2	HST-DE-CE	Rx7s	1 x 150 W	NE/BK
599.1300.1.68.00.3	HST-DE-CE	Rx7s	1 x 150 W	GI/GR
599.1300.1.68.00.4	HST-DE-CE	Rx7s	1 x 150 W	AN/AN
599.1300.1.68.00.0	HST-DE-CE	Rx7s	1 x 150 W	AR/SI

DL 1300 Golden

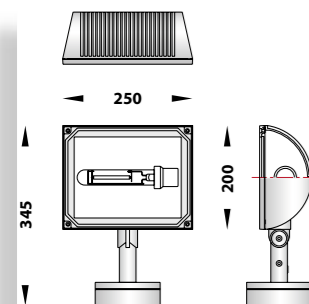
Lampada alogenuri metallici
Metal halide lamp

599.1300.1.80.00.1	HIT-DE-CE	Rx7s	1 x 150 W	BI/WH
599.1300.1.80.00.2	HIT-DE-CE	Rx7s	1 x 150 W	NE/BK
599.1300.1.80.00.3	HIT-DE-CE	Rx7s	1 x 150 W	GI/GR
599.1300.1.80.00.4	HIT-DE-CE	Rx7s	1 x 150 W	AN/AN
599.1300.1.80.00.0	HIT-DE-CE	Rx7s	1 x 150 W	AR/SI

DL 1300 Golden

Lampada alogena
Halogen Lamp

599.1300.1.19.00.1	QT-DE	Rx7s	1 x 300 W	BI/WH
599.1300.1.19.00.2	QT-DE	Rx7s	1 x 300 W	NE/BK
599.1300.1.19.00.3	QT-DE	Rx7s	1 x 300 W	GI/GR
599.1300.1.19.00.4	QT-DE	Rx7s	1 x 300 W	AN/AN
599.1300.1.19.00.0	QT-DE	Rx7s	1 x 300 W	AR/SI



CORPO IN PRESSOFUSIONE DI ALLUMINIO ADC12 VERNICIATO A POLVERE CON PRETRATTAMENTO SPECIALE PER ESTERNI
VETRO DI PROTEZIONE TEMPERATO
RIFLETTORE IN ALLUMINIO PURISSIMO
VITERIA IN ACCIAIO INOX
GUARNIZIONI IN GOMMA SILICONICA. TEMPERATURA DI SERVIZIO -40° +250°C

BODY IN HIGH-PRESSURE DIE-CAST ALUMINIUM ADC12 ALLOY POWDER COATED WITH PRETREATMENT FOR OUTDOOR USE
SAFETY TEMPERED GLASS
HIGH PURITY ALUMINIUM REFLECTOR
STAINLESS STEEL SCREWS
WEATHER PROOF AND DURABLE SILICONE GASKET.
SERVICE TEMPERATURE -40° +250°C



DL 1310 Golden

Lampada alogenuri metallici
Metal halide lamp

599.1310.1.75.00.1	HIT-CE	E27	1 x 70 W	BI/WH
599.1310.1.75.00.2	HIT-CE	E27	1 x 70 W	NE/BK
599.1310.1.75.00.3	HIT-CE	E27	1 x 70 W	GI/GR
599.1310.1.75.00.4	HIT-CE	E27	1 x 70 W	AN/AN
599.1310.1.75.00.0	HIT-CE	E27	1 x 70 W	AR/SI

DL 1310 Golden

Lampada sodio alta pressione
High pressure sodium lamp

599.1310.1.63.00.1	HST-MF	E27	1 x 70 W	BI/WH
599.1310.1.63.00.2	HST-MF	E27	1 x 70 W	NE/BK
599.1310.1.63.00.3	HST-MF	E27	1 x 70 W	GI/GR
599.1310.1.63.00.4	HST-MF	E27	1 x 70 W	AN/AN
599.1310.1.63.00.0	HST-MF	E27	1 x 70 W	AR/SI

DL 1310 Golden

Lampada alogenuri metallici
Metal halide lamp

599.1310.1.79.00.1	HIT-DE-CE	Rx7s	1 x 70 W	BI/WH
599.1310.1.79.00.2	HIT-DE-CE	Rx7s	1 x 70 W	NE/BK
599.1310.1.79.00.3	HIT-DE-CE	Rx7s	1 x 70 W	GI/GR
599.1310.1.79.00.4	HIT-DE-CE	Rx7s	1 x 70 W	AN/AN
599.1310.1.79.00.0	HIT-DE-CE	Rx7s	1 x 70 W	AR/SI

DL 1310 Golden

Lampada sodio alta pressione
High pressure sodium lamp

599.1310.1.67.00.1	HST-DE-CE	Rx7s	1 x 70 W	BI/WH
599.1310.1.67.00.2	HST-DE-CE	Rx7s	1 x 70 W	NE/BK
599.1310.1.67.00.3	HST-DE-CE	Rx7s	1 x 70 W	GI/GR
599.1310.1.67.00.4	HST-DE-CE	Rx7s	1 x 70 W	AN/AN
599.1310.1.67.00.0	HST-DE-CE	Rx7s	1 x 70 W	AR/SI

DL 1310 Golden

Lampada sodio alta pressione
High pressure sodium lamp

599.1310.1.68.00.1	HST-DE-CE	Rx7s	1 x 150 W	BI/WH
599.1310.1.68.00.2	HST-DE-CE	Rx7s	1 x 150 W	NE/BK
599.1310.1.68.00.3	HST-DE-CE	Rx7s	1 x 150 W	GI/GR
599.1310.1.68.00.4	HST-DE-CE	Rx7s	1 x 150 W	AN/AN
599.1310.1.68.00.0	HST-DE-CE	Rx7s	1 x 150 W	AR/SI

DL 1310 Golden

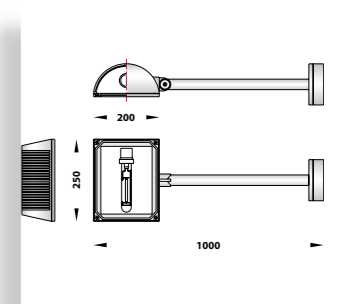
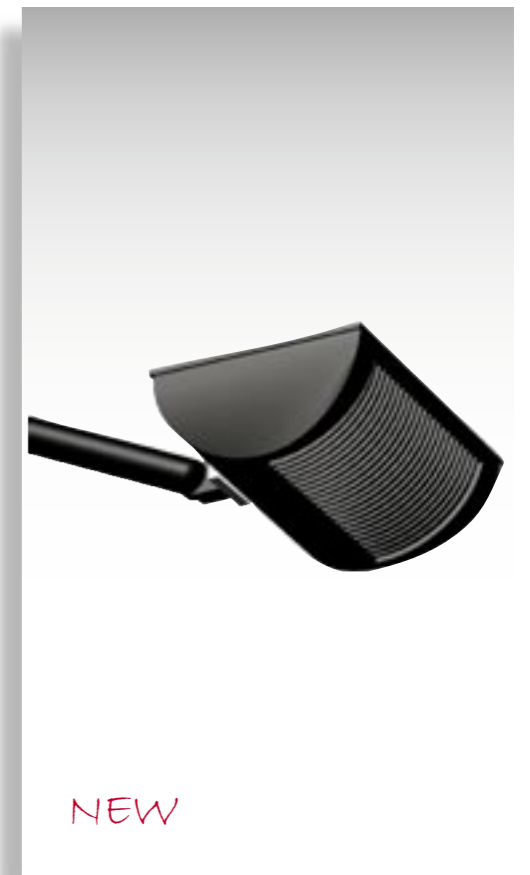
Lampada alogenuri metallici
Metal halide lamp

599.1310.1.80.00.1	HIT-DE-CE	Rx7s	1 x 150 W	BI/WH
599.1310.1.80.00.2	HIT-DE-CE	Rx7s	1 x 150 W	NE/BK
599.1310.1.80.00.3	HIT-DE-CE	Rx7s	1 x 150 W	GI/GR
599.1310.1.80.00.4	HIT-DE-CE	Rx7s	1 x 150 W	AN/AN
599.1310.1.80.00.0	HIT-DE-CE	Rx7s	1 x 150 W	AR/SI

DL 1300 Golden

Lampada alogena
Halogen Lamp

599.1310.1.19.00.1	QT-DE	Rx7s	1 x 300 W	BI/WH
599.1310.1.19.00.2	QT-DE	Rx7s	1 x 300 W	NE/BK
599.1310.1.19.00.3	QT-DE	Rx7s	1 x 300 W	GI/GR
599.1310.1.19.00.4	QT-DE	Rx7s	1 x 300 W	AN/AN
599.1310.1.19.00.0	QT-DE	Rx7s	1 x 300 W	AR/SI



CORPO IN PRESSOFUSIONE DI ALLUMINIO ADC12 VERNICIATO A POLVERE CON PRETRATTAMENTO SPECIALE PER ESTERNI
VETRO DI PROTEZIONE TEMPERATO
RIFLETTORE IN ALLUMINIO PURISSIMO
VITERIA IN ACCIAIO INOX
GUARNIZIONI IN GOMMA SILICONICA. TEMPERATURA DI SERVIZIO -40° +250°C

BODY IN HIGH-PRESSURE DIE-CAST ALUMINIUM ADC12 ALLOY POWDER COATED WITH PRETREATMENT FOR OUTDOOR USE
SAFETY TEMPERED GLASS
HIGH PURITY ALUMINIUM REFLECTOR
STAINLESS STEEL SCREWS
WEATHER PROOF AND DURABLE SILICONE GASKET.
SERVICE TEMPERATURE -40° +250°C

