



ibis



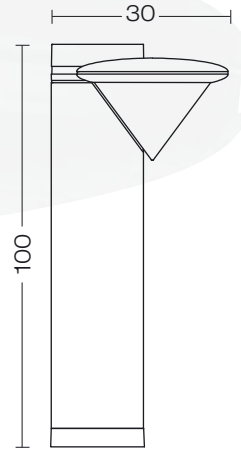
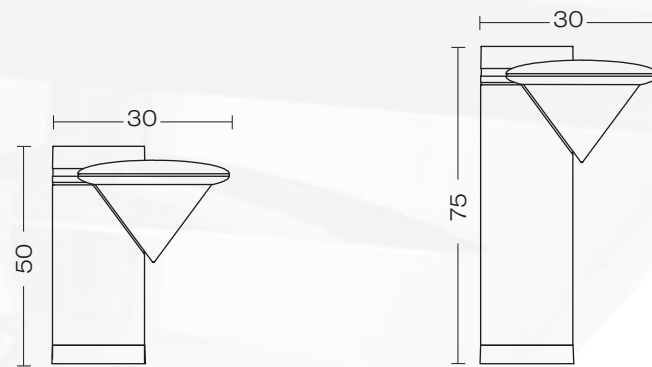
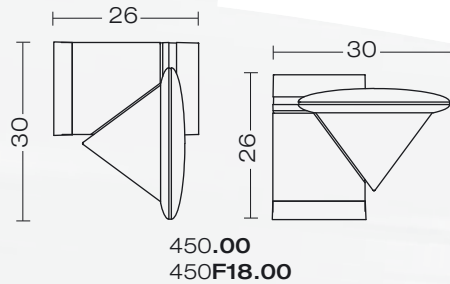
art.
450

design **aDD & Leon & Monti**

OHIM:
certificate of registration
N° 000346366-0001

corpo **alluminio pressofuso e estruso**
body in die casting and extruded aluminium
corps **en aluminium moulé sous pression et extrudé**
cuerpo aluminio inyectado y extrusionado
Körper **aus Aluminium-Druckguss**

diffusore **polycarbonato trasparente**
diffuser transparent polycarbonate
diffuser **polycarbonate transparent**
difusor polycarbonato transparente
Diffuser **Polykarbonat klar**

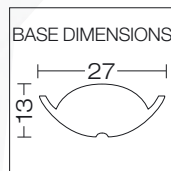


450.00
450F18.00

450.050
450F18.050
450H35.050
450H70.050

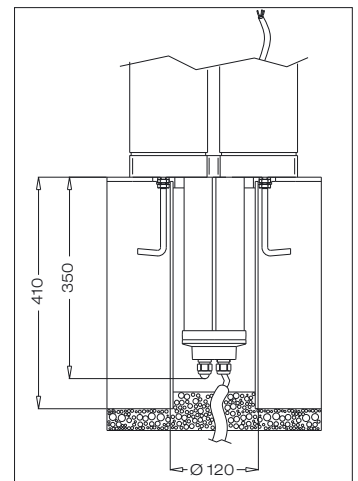
450.075
450F18.075
450H35.075
450H70.075

450.100
450F18.100
450H35.100
450H70.100



Electrification and Anchor Bolt for:

450H35.050
450H35.075
450H35.100
450H70.050
450H70.075
450H70.100



Available Photometrics data

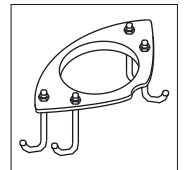


code 450.... all



code 450.... nhg

colori
colours
couleurs
colores
Farben



Accessories:
Anchor Bolt code **00A450**

tipo di lampadina
lamp type
type de lampes
tipo de lámpara
lampentyp

1 x MAX 15 WATT
E27

450.00
450.050
450.075
450.100

1 x MAX 100 WATT
E27

450.00
450.050
450.075
450.100

1 x 18 WATT
Gx24 q-2

450F18.00
450F18.050
450F18.075
450F18.100

1 x 35 WATT
G12

450H35.00
450H35.050
450H35.075
450H35.100

1 x 70 WATT
G12

450H70.00
450H70.050
450H70.075
450H70.100