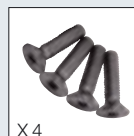




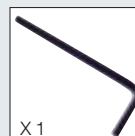
mira150

Antivandalism set



X4

00KAV01



X1

0303CA2.5

mira 150

art.

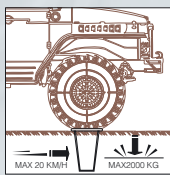
5121

design **Ufficio Tecnico Landa**

corpo **alluminio pressofuso**
 body **in die casting aluminium**
 corps **en aluminium moulé**
 sous **pression**
 cuerpo **aluminio inyectado**
 Körper **aus Aluminium-
 Druckguss**

diffusore **vetro trasparente**
 diffuser **glass transparent**
 diffusor **verre transparent**
 difusor **vidrio transparente**
 Diffuser **Glas klar**

anello/ring/bague/anillo/Ring
acciaio inox AISI 316
stainless steel AISI 316
acier inoxydable AISI 316
acero inox AISI 316
Edelstahl AISI 316



CL.I IK10

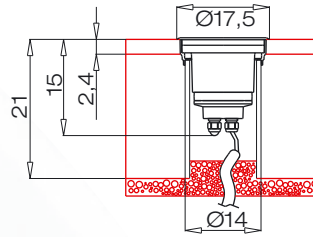
Available Photometrics data

IP67



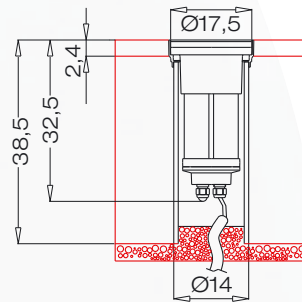
simmetrico
 symmetric
 symétriques
 simétrico
 symmetrisch

°C temperatura sul vetro
 glass temperature
 température de verre
 temperatura del vidrio
 Glastemperatur



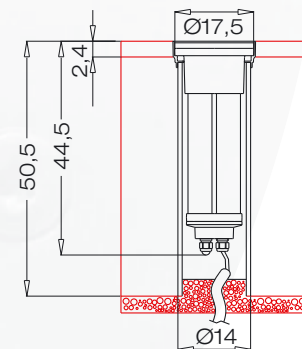
Art.	°C	W	V	Type	Light Bulb Icon
5121GU5.3	140	1 X 50	12	GU5,3	
5121G9	-32°/+32°	140	1 X 75	G9	
5121GU10	160	1 X 50		PAR 16 / GU10	

art. 5121GU5.3 no transformer

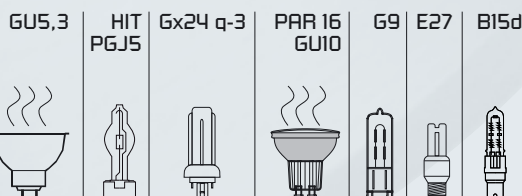


Art.	°C	W	V	Type	Light Bulb Icon
5121BT50	140	1 X 50	240/12	GU5,3	
5121B15D	-32°/+32°	180	1 X 150	B15d	
5121H20	-32°/+32°	70	1 X 20	HIT / PGJ5	
5121PLE	-60°/+60°	50	1 X 21	E27	

art. 5121BT50 with transformer



Art.	°C	W	Type	Light Bulb Icon	
5121F26	-60°/+60°	55	1 X 26	Gx24 q-3	
5121H35	-32°/+32°	85	1 X 35	HIT / G12	
5121H70	-32°/+32°	115	1 X 70	HIT / G12	



tipo di lampadina
 lamp type
 type de lampes
 tipo de lámpara
 lampentyp

Also available with:

cod. **0201007B**
 vetro opale/opal glass/
 verre opale/vidrio ópalo/
 Glas opal

