

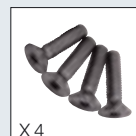


mira150



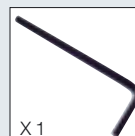
filo pavimento
flush
à niveau du sol
a ras de suelo
Bodeneinbau

Antivandalism set



X4

00KAV01



X1

0303CA2.5

mira 150

art.

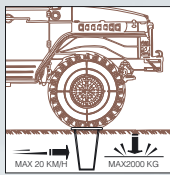
5131

design **Ufficio Tecnico Landa**

corpo **alluminio pressofuso**
 body **in die casting aluminium**
 corps **en aluminium moulé**
 sous pression
 cuerpo **aluminio inyectado**
 Körper **aus Aluminium-Druckguss**

diffusore **vetro trasparente**
 diffuser **glass transparent**
 diffusor **verre transparent**
 difusor **vidrio transparente**
 Diffuser **Glas klar**

anello/ring/bague/anillo/Ring
acciaio inox AISI 316
stainless steel AISI 316
acier inoxydable AISI 316
acero inox AISI 316
Edelstahl AISI 316



CL.I IK10

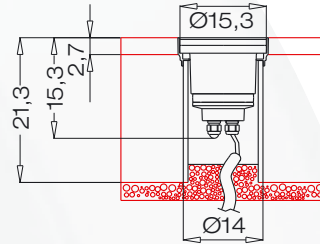
Available Photometrics data

IP67



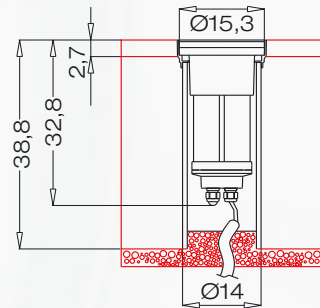
simmetrico
 symmetric
 symétriques
 simétrico
 symmetrisch

°C temperatura sul vetro
 glass temperature
 température de verre
 temperatura del vidrio
 Glastemperatur



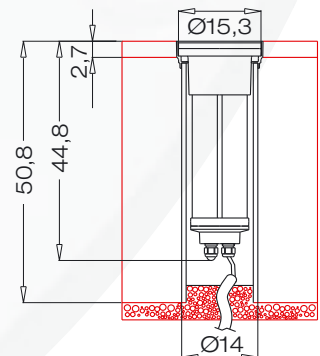
Art.		°C	W	V	Type	
5131 GU5.3		140	1 X 50	12		GU5,3
5131 G9		-32°/+32°	140	1 X 75		G9
5131 GU10		160	1 X 50		PAR 16 / GU10	

art. 5131GU5.3 no transformer

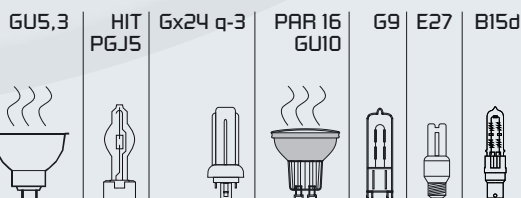


Art.		°C	W	V	Type	
5131 BT50		140	1 X 50	240/12		GU5,3
5131 B15d		-32°/+32°	180	1 X 150		B15d
5131 H20		-32°/+32°	70	1 X 20		HIT / PGJ5
5131 PLE		-60°/+60°	50	1 X 21		E27

art. 5131BT50 with transformer



Art.		°C	W	Type	
5131 F26		-60°/+60°	55	1 X 26	Gx24 q-3
5131 H35		-32°/+32°	85	1 X 35	HIT / G12
5131 H70		-32°/+32°	115	1 X 70	HIT / G12



tipo di lampadina
 lamp type
 type de lampes
 tipo de lámpara
 lampentyp

Also available with:
 cod. **0201007B**
 vetro opale/opal glass/
 verre opale/vidrio ópalo/
 Glas opal