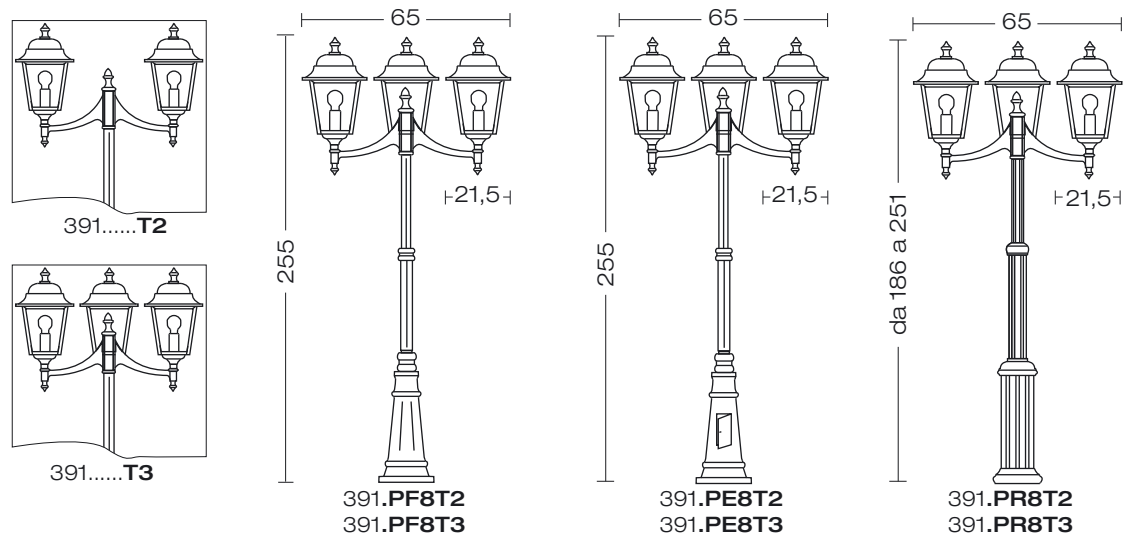
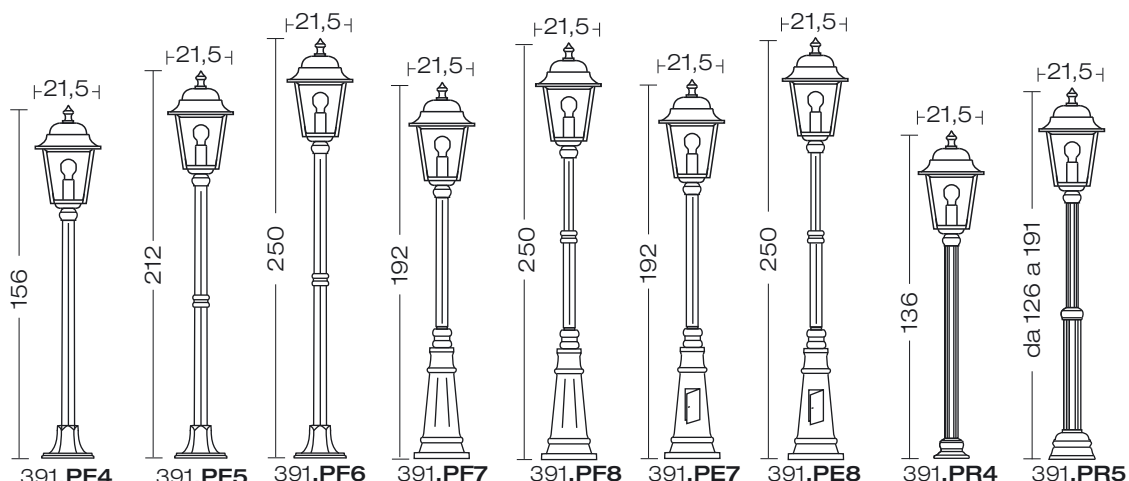
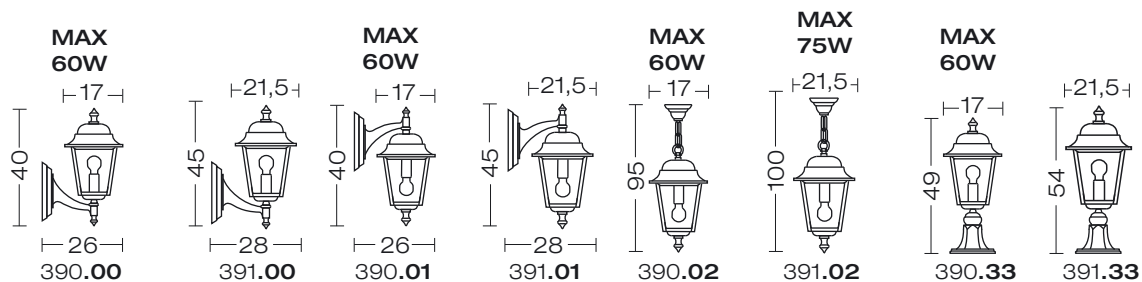




example code:
| art. | finishing | size | colour |
391 . 01 ngg

art.
390-391

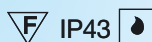


corpo **alluminio pressofuso**
body **in die casting aluminium**
corps **en aluminium moulé**
sous pression
cuerpo **aluminio inyectado**
Körper **aus Aluminium-Druckguss**

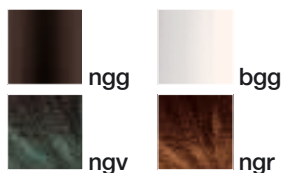
diffusore **vetro**
diffuser **glass**
diffuser **verre**
difusor **vidrio**
Diffuser **Glas**

dettagli - details - detalles - detalles:
pages 194-195

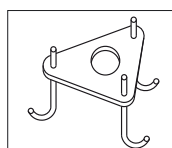
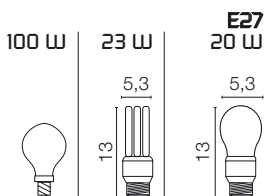
For technical details visit
www.landa.it



COLOURS



ELECTRIFICATION



Anchor Bolt: code **00APF6**

391.PF7.....
391.PF8.....
391.PE7.....
391.PE8.....

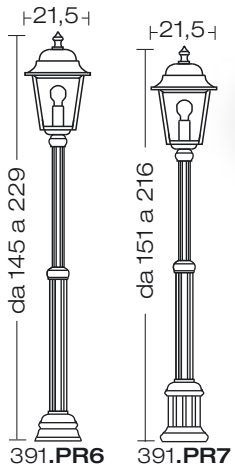
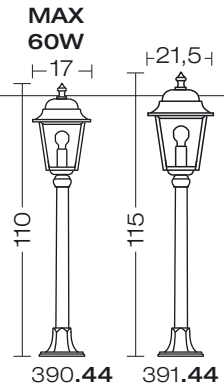
code **00APF8**

391.PR5.....
391.PR6.....

code **00APR6**

391.PR7.....
391.PR8.....

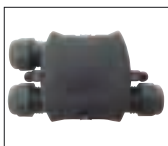
code **00APR8**



Accessories on request:

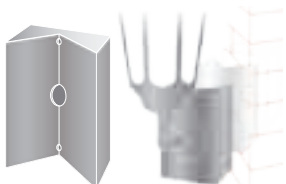


code **0404M004**
Single connection IP68



code **0404M003**
Loop in loop out IP68

00108
angoliera
corner bracket
patte d'angle
esquinera
Eckhalterungen



esempio di fissaggio
fixing example
exemple de fixation
ejemplo de fijación
Beispiel von Fixierung