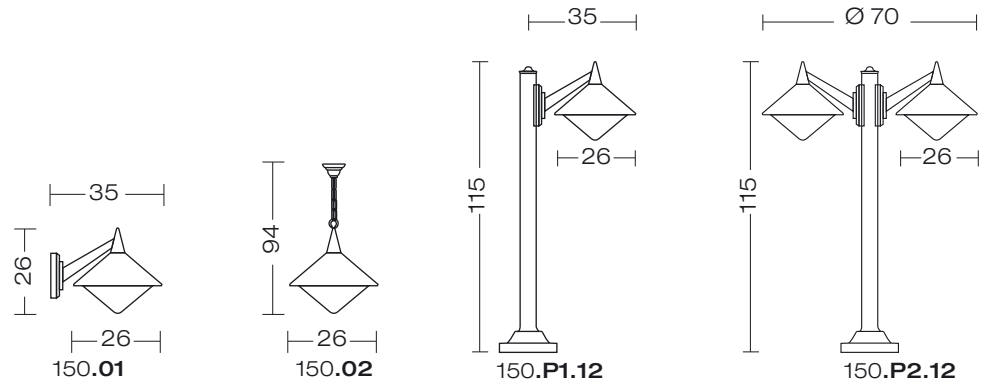
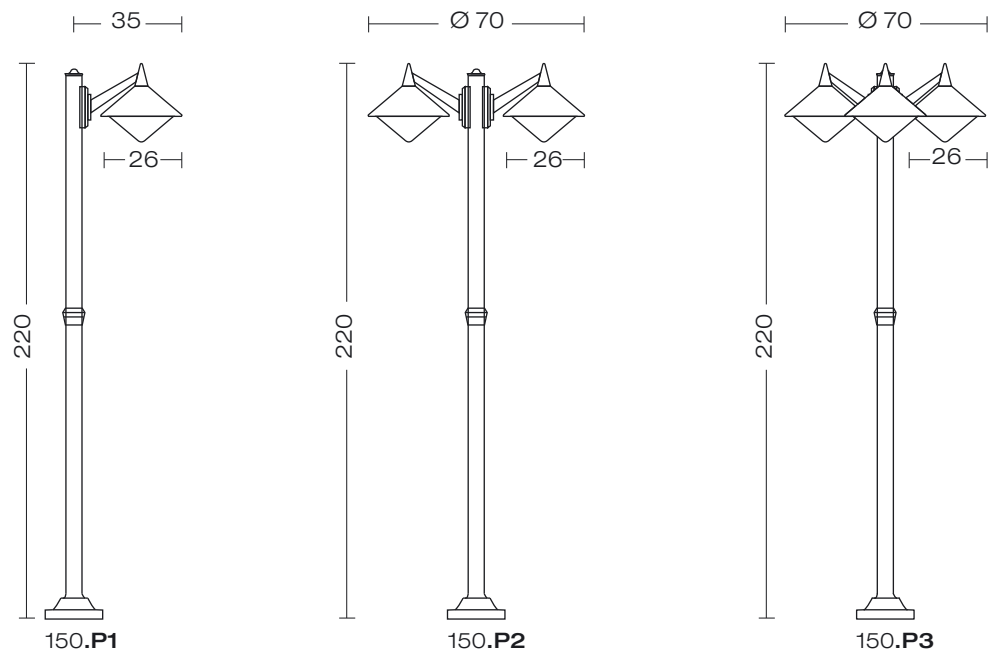


art.  
**150**



corpo **alluminio pressofuso**  
body **in die casting aluminium**  
corps **en aluminium moulé**  
**sous pression**  
cuerpo **aluminio inyectado**  
Körper **aus Aluminium-  
Druckguss**

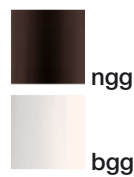
diffusore **polycarbonato opale**  
diffuser **polycarbonate opal**  
diffuser **polycarbonate opale**  
difusor **polycarbonato ópalo**  
Diffuser **Polykarbonat opal**



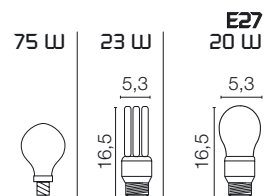
For technical details visit  
[www.landa.it](http://www.landa.it)



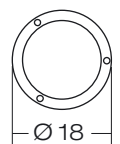
COLOURS



ELECTRIFICATION



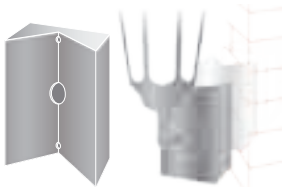
BASE DIMENSION





Accessories on request:

**00108**  
angoliera  
corner bracket  
patte d'angle  
esquinera  
Eckhalterungen



esempio di fissaggio  
fixing example  
exemple de fixation  
ejemplo de fijación  
Beispiel von Fixierung