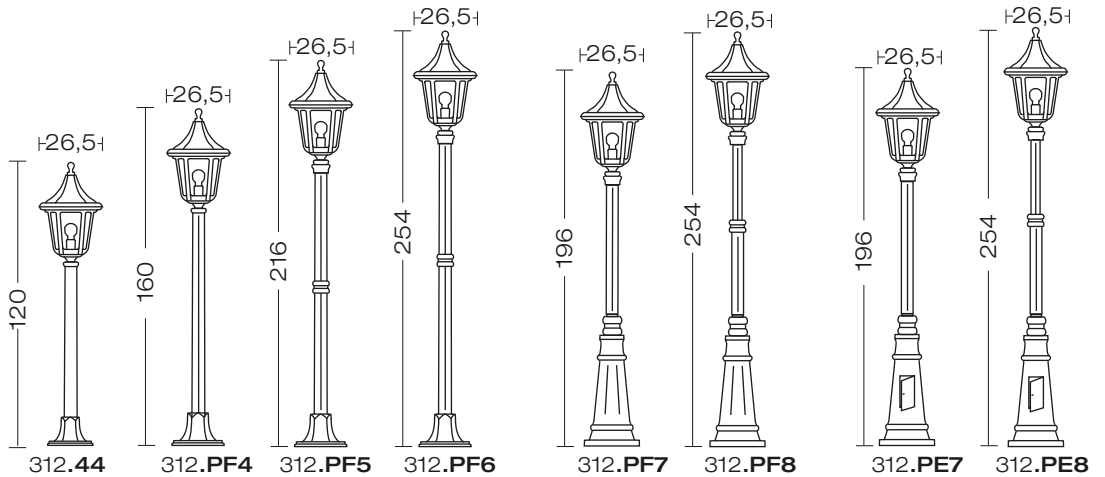
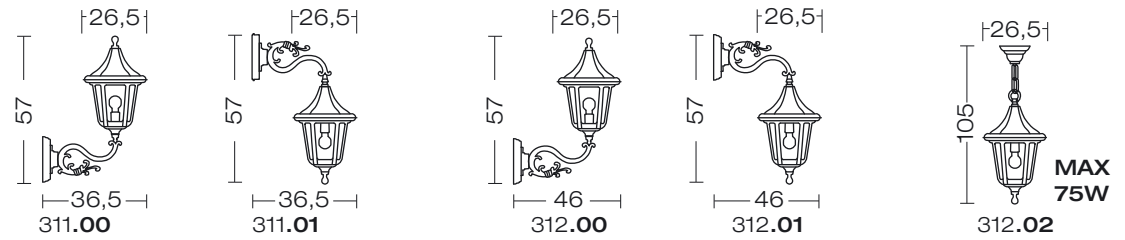




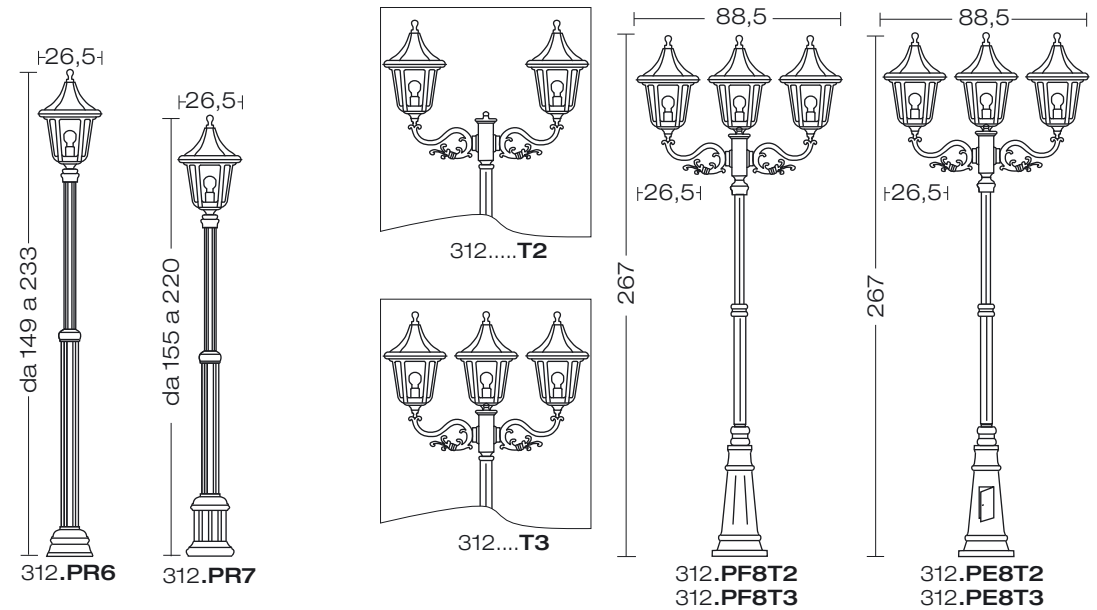
example code:
 | art. | finishing | size | colour |
 312 . PF4 ngv

art.
311-312



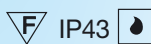
corpo **alluminio pressofuso**
 body **in die casting aluminium**
 corps **en aluminium moulé**
 sous pression
 cuerpo **aluminio inyectado**
 Körper **aus Aluminium-Druckguss**

diffusore **policarbonato trasparente**
 diffuser **transparent polycarbonate**
 diffusor **polycarbonate transparent**
 difusor **policarbonato transparente**
 Diffuser **Polykarbonat klar**



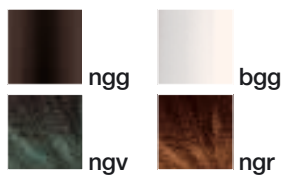
dettagli - details - detalles - detalles:
 pages 194-195

For technical details visit
www.landa.it

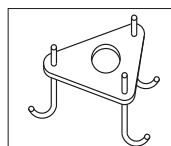
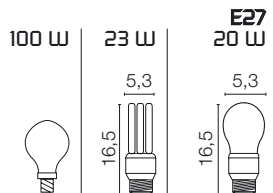


960°

COLOURS



ELECTRIFICATION



Anchor Bolt: code **00APF6**

312.PF7....
 312.PF8....
 312.PE7....
 312.PE8....

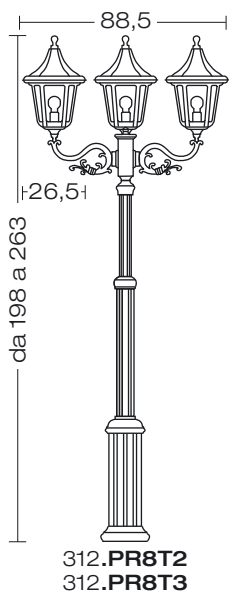
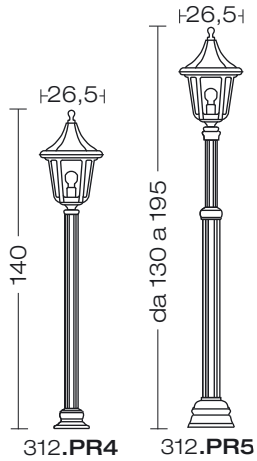
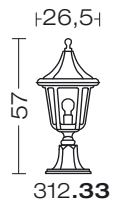
312.PR5....
 312.PR6....

312.PR7....
 312.PR8....

code **00APF8**

code **00APR6**

code **00APR8**



Accessories on request:

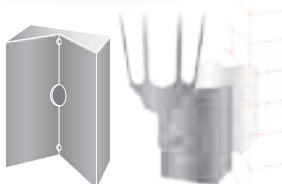


code 0404M004
Single connection IP68



code 0404M003
Loop in loop out IP68

00108
angoliera
corner bracket
patte d'angle
esquinera
Eckhalterungen



esempio di fissaggio
fixing example
exemple de fixation
ejemplo de fijación
Beispiel von Fixierung