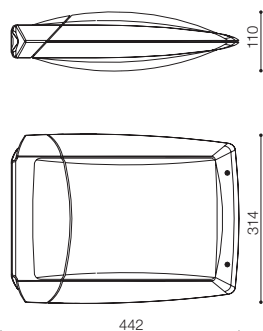


Deva Street

Urban architectural lighting Led

Designer: P. Torcolacci



Outdoor light fitting

Cut-off LED light fitting for use on
Deva street System
Deva street wall
Deva street pole top

Colour

Anthracite

Suitable for

Main and secondary roads
cycle paths, pedestrian areas
parking areas

Accessories / Compositions

Deva Street System / Deva Street wall
Deva Street pole top

Special features

High protection rating (IP55)
Compact dimension
Adjustable swivel joint allowing light flux management
Minimal environmental impact
Very high efficiency
Energy saving
Strong lighting performance
Low power consumption

Technical details

- Die cast aluminium body
- Optics white LED 20x1.2W 6000K with asymmetrical emission through custom lenses developed by Mareco Luce (optional 4000K)
- Anodized aluminium optics support
- Electronic ballast 100-240V
- Transparent PMMA diffuser

Dimension	Power	Colour	Code
422 x 314	Led 20 x 1,2W	Anthracite	0500.585S



pole top assembly

Deva Street testapalo

Urban architectural lighting Led



Accessory

Accessory for use on Ø 60 mm poles for pole top mounting

Colour

Anthracite

Suitable for

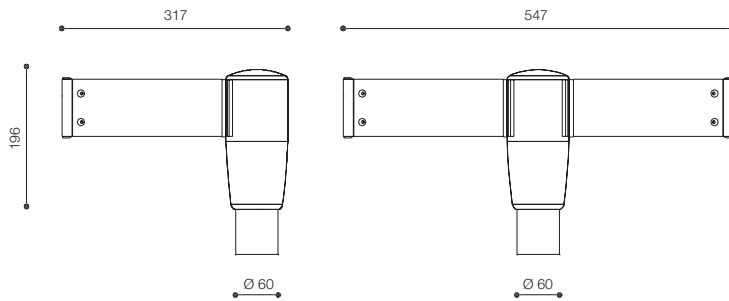
Main and secondary roads, cycle paths, pedestrian areas, parking areas, public and private gardens, squares

Special features

Possibility of use on already existing poles or brackets Ø 60 mm

Technical details

- Pole top in cast aluminium
- Hot dipped galvanized steel bracket 75 µm (UNI 5745 / 75)
- Stainless steel screws



Deva street pole top

1 light	2 lights	
3010.100S	3010.200S	1

wall fixing

Deva Street parete



Accessory

Bracket for wall fixing, total depth 310 mm

Colour

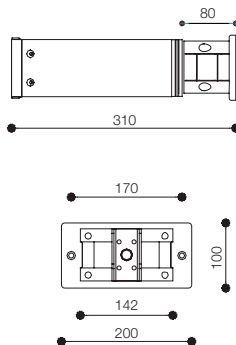
Anthracite

Suitable for

Main and secondary roads, squares

Technical details

- Fixing staff in cast aluminium
- Hot dipped galvanized steel bracket 75 µm (UNI 5745 / 75)
- Stainless steel screws



Deva street wall fixing

Dimension	Colour	Code	
Ø 60 x 287 mm	Anthracite	3010.000S	1