

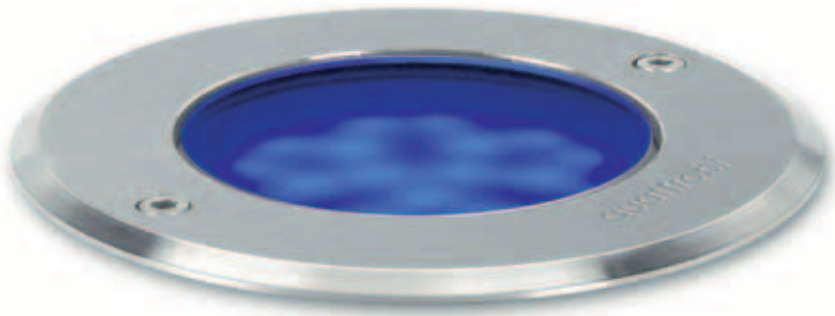
# ROUND HILL SQUARE HILL

## ROUND HILL - SQUARE HILL

DESIGN - QUATTROBI TECHNICAL DEPARTMENT



Outer frame in stainless steel and highly resistant front louvers 10 mm thick.



In addition to luminaires with traditional light sources, Quattrobi provides the models of this family also with LED technology. The system combines design with attention to performance, consumption and project.

### Technical specifications

Round Hill and Square Hill are solid, ground-recessed luminaires, highly resistant to mechanical shocks IKo8 and weatherproof.

Static load resistance 2000 kg.

Their corrosion- and deterioration-resistant structure is made up of a main body and a recessed box, both in die-cast aluminium. The outer frame, round for Round Hill or square for Square Hill is made of stainless steel and fitted with highly resistant protective tempered glass, 10 mm thick.

Silicone gaskets and stainless steel screws allow to reach an IP 67 - IP 65 protection class.

### Structural features

Installation: In-ground recessed

Luminaire housing: die-cast aluminium and stainless steel outer ring

Louver: tempered glass 10 mm thick

Light sources: LEDs

Standard finishing: stainless steel

Protection class: IP67 - IP65

Insulation class: II □ - III ◊

Power supply: 230V - 50Hz - 12V



All luminaires come with 400 mm power supply cable.



The bottom of the recessed box in perforated sheet prevents water accumulation.



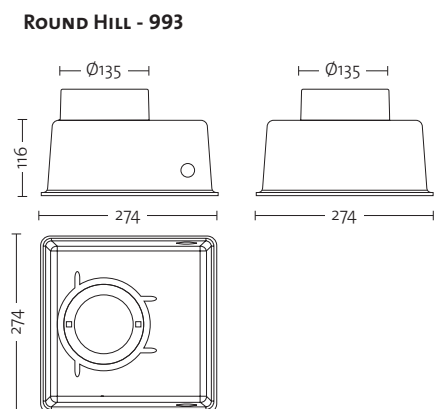
Ground-recessed luminaire with LED light sources.  
 Coated die-cast aluminium structure.  
 Stainless steel outer ring.  
 Protection louver in tempered glass (10 mm).  
 Supplied with 2 H07RN-F cable 4x1.0 mm<sup>2</sup>.

CODE	DESCRIPTION	
1444 RGB	<b>Round Hill RGB</b> 3 LEDs - 1W - 350 mA Colour: stainless steel IP 67 - IP 65 IK08 mechanical shocks 2000 Kg static load Supplied with 2 H07RN-F cable 4x1.0 mm <sup>2</sup> Ballast to be ordered separately	
463	<b>Ballast</b> 190/265V ac - 50/60 Hz max 9 luminaires  The ballast cannot be placed into the recessed box with the luminaire. A remote box must be provided instead.	

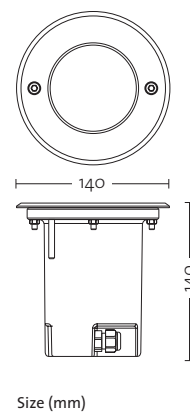


#### ACCESSORIES

993 Recessed box in coated die-cast aluminium for Round Hill





#### ROUND HILL



Ground-recessed luminaire with LED light sources.  
 Coated die-cast aluminium structure.  
 Stainless steel outer ring.  
 Protection louver in tempered glass (10 mm).  
 Supplied with 2 H07RN-F cable 4x1.0 mm<sup>2</sup>.

# ROUND HILL SQUARE HILL

DESIGN - QUATTROBI TECHNICAL DEPARTMENT

CODE	DESCRIPTION	
<b>1464 RGB</b>	<b>Square Hill RGB</b> 3 LEDs - 1W - 350 mA Colour: stainless steel IP 67 - IP 65 IK08 mechanical shocks 2000 Kg static load Supplied with 2 H07RN-F cable 4x1.0 mm <sup>2</sup> Ballast to be ordered separately	
<b>463</b>	<b>Ballast</b> 190/265V ac - 50/60 Hz max 9 luminaires	

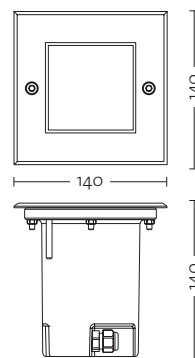
The ballast cannot be placed into the recessed box with the luminaire. A remote box must be provided instead.



## ACCESSORIES

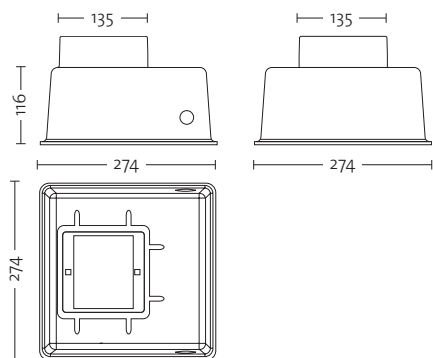
**994** Recessed box in coated die-cast aluminium for Square Hill

## SQUARE HILL



Size (mm)

## SQUARE HILL - 994



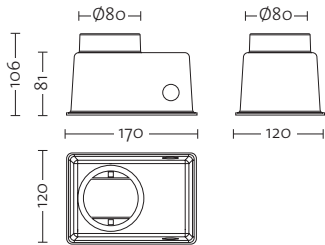
Ground-recessed luminaire with LED light sources.  
 Coated die-cast aluminium structure.  
 Stainless steel outer ring.  
 Protection louver in tempered glass (10 mm).  
 Supplied with H05RN-F cable.

CODE	DESCRIPTION	
1402	<b>Mini Round Hill for white light projection</b> 1 LEDs - 1W - 350 mA Colour: stainless steel IP 67 - IP 65 IK08 mechanical shocks 2000 Kg static load Supplied with H05RN-F cable 2x1 mm <sup>2</sup> Ballast to be ordered separately	
1446	<b>Round Hill for white light projection</b> 3 LEDs - 1W - 350 mA Colour: stainless steel IP 67 - IP 65 IK08 mechanical shocks 2000 Kg static load Supplied with H05RN-F cable 2x1 mm <sup>2</sup> Ballast to be ordered separately	
464	<b>Ballast</b> 190/265V ac - 50/60 Hz max 3 luminaires 1446 max 9 luminaires 1402  The ballast cannot be placed into the recessed box with the luminaire. A remote box must be provided instead.	

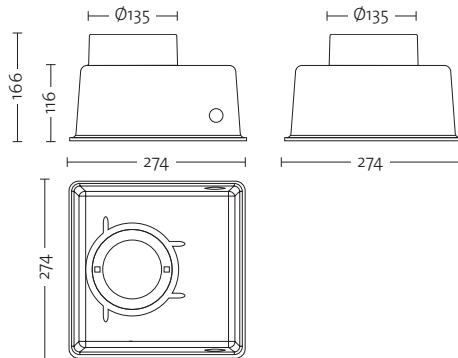


ACCESSORIES	
944	Electrical series connection of one or multiple luminaires - IP 68
945	Luminaire connection - IP 68
949	Electrical series connection of multiple luminaires - IP 68
991	Recessed box in coated die-cast aluminium for Mini Round Hill
993	Recessed box in coated die-cast aluminium for Round Hill

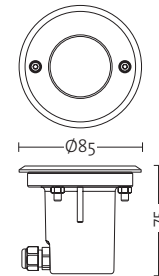
**MINI ROUND HILL - 991**



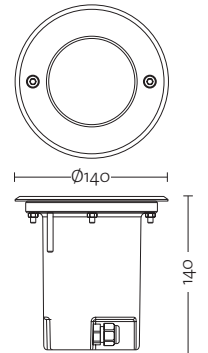
**ROUND HILL - 993**



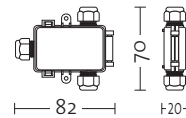
**MINI ROUND HILL**



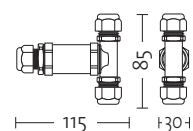
**ROUND HILL**



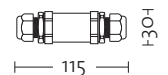
**949 - For code 1402**



**944 - For codes 1446 - 1445**



**945**



Ground-recessed luminaire with LED light sources.  
 Coated die-cast aluminium structure.  
 Stainless steel outer ring.  
 Protection louver in tempered glass (10 mm).  
 Supplied with H05RN-F cable.

# ROUND HILL SQUARE HILL

DESIGN - QUATTROBI TECHNICAL DEPARTMENT

CODE	DESCRIPTION	
1422	<b>Mini Square Hill for white light projection</b> 1 LEDs - 1W - 350 mA Colour: stainless steel IP 67 - IP 65 IK08 mechanical shocks 2000 Kg static load Supplied with H05RN-F cable 2x1 mm <sup>2</sup> Ballast to be ordered separately	
1466	<b>Hill for white light projection</b> 3 LEDs - 1W - 350 mA Colour: stainless steel IP 67 - IP 65 IK08 mechanical shocks 2000 Kg static load Supplied with H05RN-F cable 2x1 mm <sup>2</sup> Ballast to be ordered separately	
464	<b>Ballast</b> 190/265V ac - 50/60 Hz max 6 luminaires max 3 luminaires 1446 max 9 luminaires 1402  The ballast cannot be placed into the recessed box with the luminaire. A remote box must be provided instead.	



ACCESSORIES	
944	Electrical series connection of one or multiple luminaires - IP 68
945	Luminaire connection - IP 68
949	Electrical series connection of multiple luminaires - IP 68
992	Recessed box in coated die-cast aluminium for Mini Square Hill
994	Recessed box in coated die-cast aluminium for Square Hill

