


ALIAS



A signal in residential areas to enhance with soft and discreet light streets, building perimeters, and outdoor and indoor walkways.

Technical specifications

Designed for outdoor applications, Alias is a new series of recessed luminaires that meet different lighting requirements depending on their installation, including urban design, pedestrian paths and walkways, or as a decoration element through the emission of soft light. Shock-resistant and corrosion- and weather-proof, the structure of these luminaires consists of a main housing made of nylon and of a stainless steel or die-cast aluminium louver, fitted with high-resistance protection tempered glass, 10 mm thick.

Silicone material gaskets and stainless steel screws ensure IP67 - IP65 protection class and class II  insulation, which guarantee maximum safety.

The round outer frame has 140 mm diameter and is available in the full-light version or with protection eyelid cover.

The recess, contained in only 65 mm, allows these luminaires to be mounted also in walls or false ceilings with small thickness or depth.

The optical components are fixed and house LED (see section) and fluorescent light sources.

The outer rings made of stainless steel or die-cast aluminium with UV-stabilized epoxy polyester coat finish are available in two colours: grey and anthracite grey.

Optical components and light sources

A single optical component has been designed for this type of luminaire, both in the full-light version and in the version with eyelid cover, and uses fluorescent light sources with built-in 6 W ballast with GX53 fitting.

Structural features

Installation: wall, floor or ceiling-mounting

Luminaire housing: nylon and outer ring of stainless steel or die-cast aluminium with epoxy polyester coat finish.

Silicone rubber gasket

Louvers: tempered glass 10 mm thick

Light sources: fluorescent

Standard finishing: stainless steel, grey, anthracite grey


Protection class: IP 67 - IP 65

Insulation class: II - 

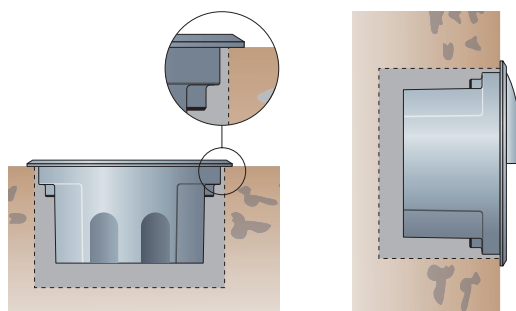
Power supply: 230V - 50Hz



MAINS VOLTAGE FLUORESCENT LAMPS



	GX53 - FB	6W
	GX53 - MICROLYNK LED	1,5W

Only 65 mm high, these luminaires can be installed also in shallow walls or false ceilings.





Once secured, the outer ring should be perfectly tight with the outer surface.

Wall-mounted, floor-mounted and false ceiling-mounted recessed luminaire for fluorescent lamps.
 Nylon structure.
 Stainless steel or die-cast aluminium outer ring.
 Protection louver in tempered glass (10 mm).

CODE	DESCRIPTION	
1450	Stainless steel outer ring version MICRO-LYNX F - GX53 - FB - 6W 230V - 50Hz Colour: stainless steel IP 67 - IP 65	   CE



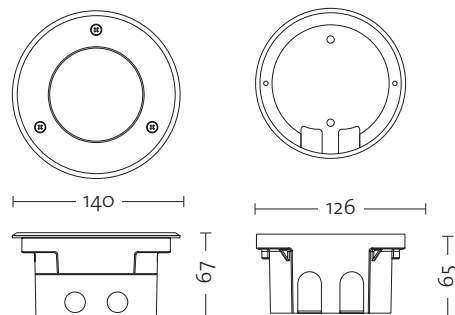
1451	Die-cast aluminium outer ring version MICRO-LYNX F - GX53 - FB - 6W 230V - 50Hz Colour: 18 - 19 IP 67 - IP 65	   CE
------	--	---



ACCESSORIES	
997	Plastic recessed box
939	Recessed mounting installation kit

1450 - 1451

997



Size (mm)


stainless steel
 18 grey
 19 anthracite grey

NOTE

Wall-mounted recessed luminaire for fluorescent lamps.
 Nylon structure.
 Die-cast aluminium outer ring.
 Protection louver in tempered glass (10 mm).

ALIAS

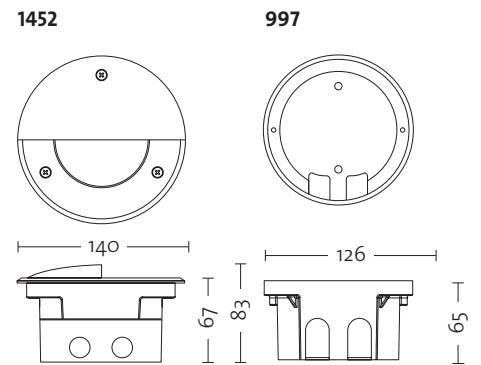
DESIGN - STUDIO TECNICO QUATTROBI

CODE	DESCRIPTION	
1452	Die-cast aluminium eyelid cover version MICRO-LYNX F - GX53 - FB - 6W 230V - 50Hz Colour: stainless steel IP 67 - IP 65	



ACCESSORIES

997	Plastic recessed box
939	Recessed mounting installation kit



Size (mm)

18 grey
 19 anthracite grey

NOTE