

- FACADES
- MONUMENTS
- SQUARES
- HOARDINGS

- PLACES OF INTEREST
- MUSEUMS
- PARKS
- PUBLIC PARKS



LUMERA 200 LED

Surface-mounted projector with mounting bracket.

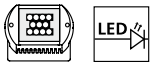
Luminaire housing made of die-cast aluminium, safety glass, painted, stainless steel screws, easy access for maintenance, broad coverage area thanks to continuously adjustable mounting bracket from -45° through 90°, different optical systems available, protective rating IP66, safety category II, safety category I optional, M16 cable gland for through-wiring and terminal block for 6 mm², standard colours RAL 9002 grey-white, 9005 deep black, 9006 white aluminium,

other colours on request [-9].

11 latest generation High Performance LEDs make for rotationally symmetrical optics. Controlled via an electronic converter, it consumes 30W at a total luminous flux of 1200lm. Colour temperature: 3200K. Other colour temperatures or colours available on request.

Windage area: 0.03 m², weight: 2.8 kg

Surface-mounted projector SX 416 ■ ■ with mounting bracket

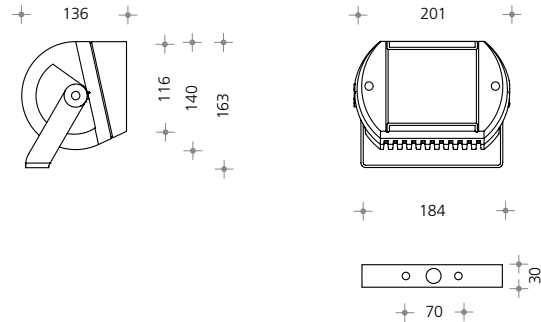


rotationally symmetrical narrow 2 x 4°

2m	0,3m
4m	0,6m
6m	0,8m
8m	1,1m
10m	1,4m

LED white
3200K

30W → **1 0**
LVK → 8170



rotationally symmetrical medium 2 x 8°

2m	0,6m
4m	1,1m
6m	1,7m
8m	2,3m
10m	2,8m

30W → **2 0**
LVK → 8171

rotationally symmetrical wide 2 x 18°

2m	1,3m
4m	2,6m
6m	3,9m
8m	5,2m
10m	6,5m

30W → **3 0**
LVK → 8172



linear horizontal ±7° x ±21°

2m	0,5m / 1,5m
4m	1,0m / 3,0m
6m	1,5m / 4,6m
8m	2,0m / 6,1m
10m	2,5m / 7,5m

30W → **4 0**
LVK → 8173

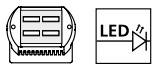
linear vertical ±21° x ±7°

2m	0,5m / 1,5m
4m	1,0m / 3,0m
6m	1,5m / 4,6m
8m	2,0m / 6,1m
10m	2,5m / 7,5m

30W → **5 0**
LVK → 8174

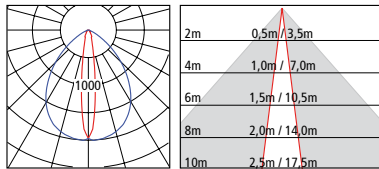


Four latest generation High Performance LEDs make for linear beam coverage. Controlled via an electronic converter, it consumes 30W at a total luminous flux of 1400lm. Colour temperature: 3500K. Other colour temperatures or colours available on request.



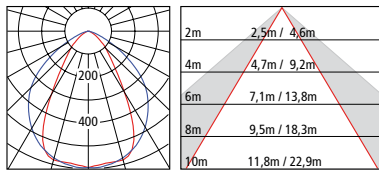
LED white
3500K

linear narrow $\pm 7^\circ \times \pm 41^\circ$



30W → **6 0**
LVK → 8175

linear wide $\pm 31^\circ \times \pm 49^\circ$



30W → **8 0**
LVK → 8177

How to order

SX 416 10 - 11

LUMERA
200 LED
SX 416

LED
narrow 2 x 4°
10

grey-white
11

Colour code:

→ - + RAL 9002, - + RAL 9006, - + RAL 9005,
other colours - + colour code

