

- MAIN ROADS
- CAR PARKS
- INDUSTRIAL AREAS



STRADEX 500 • STRADEX 700 Lateral mounted luminaire supplied with pole top flange, spigot Ø: 76mm, can be mounted on our recommended poles. Housing made of pressure die-cast aluminium, aluminium, stainless steel, toughened glass, stainless steel screws, stainless steel threaded inserts for regularly used fixing positions, features tool-free easy maintenance access with flush one hand operated lock and gas pressure damper, E-Block can be replaced without tools, asymmetric high performance mirror optics - VARIO-OPTIC for all layouts, for planning assistance please contact se'lux, protection category IP65, protection class II with option class I, standard colour: graphite - mica finish [-4].

STRADEX 500
 L: 700mm, B: 392mm, H: 200mm
 A_w: 0,115 m², weight: 13 kg
Pole top fitting **SX 870** [] - []
 with pole top mounting flange

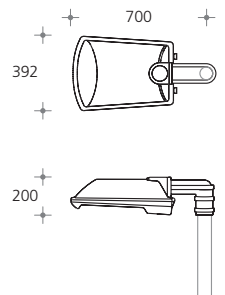
STRADEX 700
 L: 835mm, B: 527mm, H: 235mm
 A_w: 0,142 m², weight: 17,5 kg
Pole top fitting **SX 880** [] - []
 with pole top mounting flange

STRADEX 500 Pole top luminaire



VARIO-OPTIC
 Mirror optics
 asymmetric

HST	HIT-CE	
50W → 2 4 LVK → 7330	35W* → 2 5 LVK → 7333	
70W → 1 0 LVK → 7330	70W → 1 1 LVK → 7333	
100W → 1 2 LVK → 7331	100W → 1 3 LVK → 7333	
150W → 1 6 LVK → 7331	150W → 1 7 LVK → 7333	

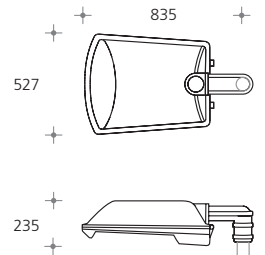


STRADEX 700 Pole top luminaire



VARIO-OPTIC
 Mirror optics
 asymmetric

HST	HIT-CE	HIT
100W → 1 2 LVK → 7335	100W → 1 3 LVK → 7338	
150W → 1 6 LVK → 7335	150W → 1 7 LVK → 7338	
250W → 1 8 LVK → 7336	250W → 1 9 LVK → 7338	
400W → 2 2 LVK → 7336		400W → 2 3 LVK → 7338



Recommended Poles

Conical galvanised steel pole, painted, features extended buried base and anti-sink plate set, CE-approval according to EU construction-product regulations, supplied with IP 54 fuse box 2x5x16mm² for loop in-and-out.

H: 4500 / 800mm	pole top Ø: 76mm	LPH: 4450mm	SX 037 16- []
H: 5000 / 800mm	pole top Ø: 76mm	LPH: 4950mm	SX 094 16- []
H: 6000 / 1000mm	pole top Ø: 76mm	LPH: 5950mm	SX 018 16- []
H: 7000 / 800mm	pole top Ø: 76mm	LPH: 6950mm	SX 129 16- []
H: 8000 / 1200mm	pole top Ø: 76mm	LPH: 7960mm	SX 019 16- []
H: 10000 / 1500mm	pole top Ø: 76mm	LPH: 9960mm	SX 114 16- []

*35W: G12 base • on request with Philips CosmoPolis (HIT-COS).
 Please complete reference no. with the relevant codes for optic, lamp and colour

Specification example:
SX 870 2 4 - 4

STRADEX 500 Pole top luminaire SX 870

HST 50W 2 4

graphite-mica finish - 4

Colour code: → [] graphite - mica finish - 4, choice of colours - 9



- MAIN ROADS
- CAR PARKS
- INDUSTRIAL AREAS



STRADEX 500 • STRADEX 700 Bracket mounted luminaire with spigot Ø: 60mm, can be combined with a variety of arms for mounting on our recommended poles. Housing made of pressure die-cast aluminium, aluminium, stainless steel, toughened glass, stainless steel screws, stainless steel threaded inserts for regularly used fixing positions, features tool-free easy maintenance access with flush one hand operated lock and gas pressure damper, E-Block can be replaced without tools, asymmetric high performance mirror optics - VARIO-OPTIC for all layouts, for planning assistance please contact se'lux, protection category IP65, protection class II with option class I,

standard colour: graphite - mica finish [-4].

STRADEX 500:

L: 615mm, B: 392mm, H: 200mm
A_w: 0,115 m², weight: 13 kg

Bracket mounted fitting SX 870 [] - []
with bracket flange to be completed with bracket and pole

STRADEX 700:

L: 750mm, B: 527mm, H: 235mm
A_w: 0,142 m², weight: 17,5 kg

Bracket mounted fitting SX 880 [] - []
with bracket flange to be completed with bracket and pole

STRADEX 500 Bracket mounted luminaire



VARIO-OPTIC

Mirror optics asymmetric

HST	HIT-CE	
50W → 4 4 LVK → 7330	35W* → 4 5 LVK → 7333	
70W → 3 0 LVK → 7330	70W → 3 1 LVK → 7333	
100W → 3 2 LVK → 7331	100W → 3 3 LVK → 7333	
150W → 3 6 LVK → 7331	150W → 3 7 LVK → 7333	

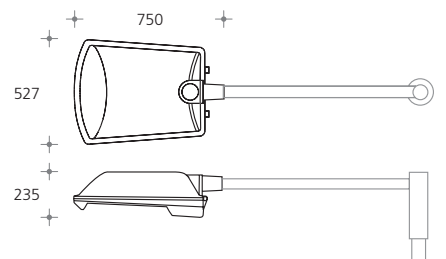
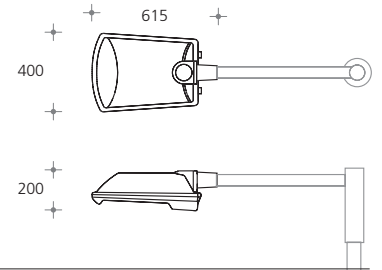
STRADEX 700 Bracket mounted luminaire



VARIO-OPTIC

Mirror optics asymmetric

HST	HIT-CE	HIT
100W → 3 2 LVK → 7335	100W → 3 3 LVK → 7338	
150W → 3 6 LVK → 7335	150W → 3 7 LVK → 7338	
250W → 3 8 LVK → 7336	250W → 3 9 LVK → 7338	
400W → 4 2 LVK → 7336		400W → 4 3 LVK → 7338



Wall bracket

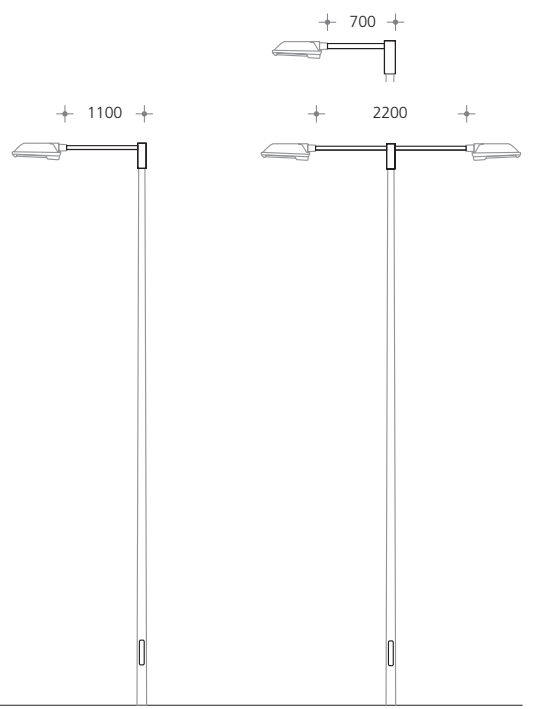
Featuring wall plate of galvanised steel, painted, with bracket fitter Ø: 60mm.
H: 300mm, B: 200mm, L: 400mm, **SX 97-313-** []



Bracket

Pole top tubular bracket of galvanised steel with fitter Ø: 60mm, painted.

single arm for pole top Ø: 90mm	L: 700mm	SX 97-304- []
single arm for pole top Ø: 90mm	L: 1100mm	SX 97-305- []
double arm for pole top Ø: 90mm	L: 2200mm	SX 97-309- []



Recommended Poles

Conical galvanised steel pole, painted, features extended buried base and anti-sink plate set, CE-approval according to EU construction-product regulations, supplied with IP 54 fuse box 2x5x16mm² for loop in-and-out.

H: 6000 / 1000mm	pole top Ø: 90mm	LPH: 5960mm	SX 115 14- []
H: 7000 / 1200mm	pole top Ø: 90mm	LPH: 6960mm	SX 116 14- []
H: 8000 / 1200mm	pole top Ø: 90mm	LPH: 7960mm	SX 117 14- []
H: 10000 / 1500mm	pole top Ø: 90mm	LPH: 9960mm	SX 126 14- []

35W: G12 base • on request with Philips CosmoPolis (HIT-COS).

Please complete reference no. with the relevant codes for optic, lamp and colour

Specification example: Luminaire with bracket and pole

STRADEX 700 SX 880	asym., HST 100W 3 2	graphite-mica finish - 4	SX 880 3 2 - 4
Bracket SX 97-304	L: 700mm	- 4	SX 97-304- 4
Pole SX 115 14	H: 6000/1000mm	- 4	SX 115 14- 4

Colour code: → [] graphite - mica finish - 4, choice of colours - 9

Additional poles p.320 • wooden poles p.316 • accessories p.325 • colours p.328 • planning aids p.332 • optics p.315 • additional brackets p.322 • wall plate dimensions p.326



